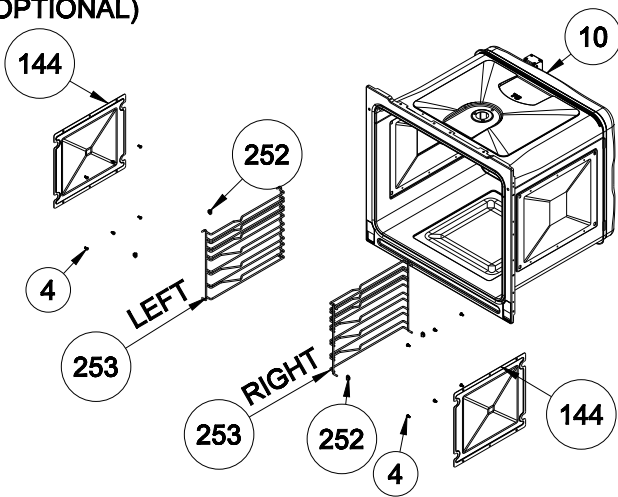
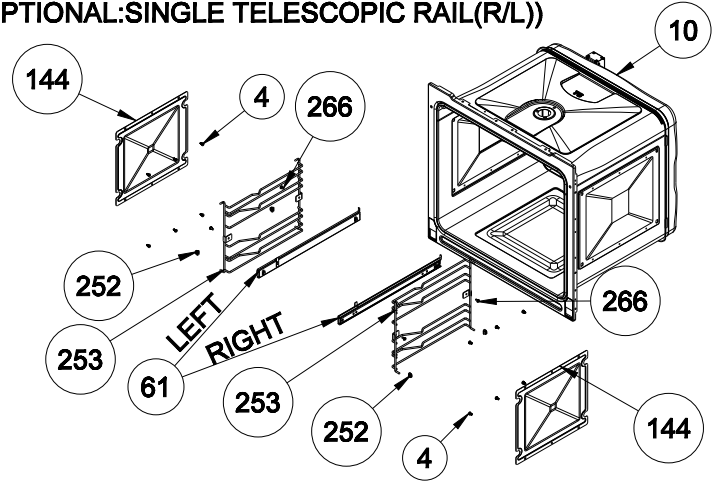


**75 LT CAVITY ASSEMBLY EXPLODED VIEW
 (OPTIONAL)**

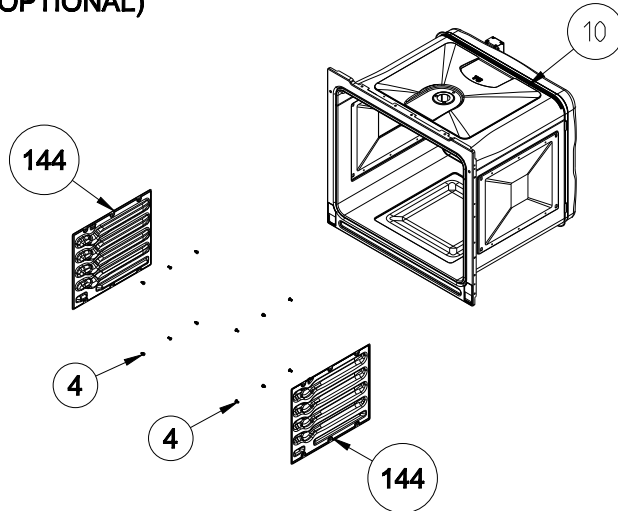
**WIRE SHELF CAVITY ASSEMBLY
WITH/ WITHOUT CATALYTIC PANEL
(OPTIONAL)**



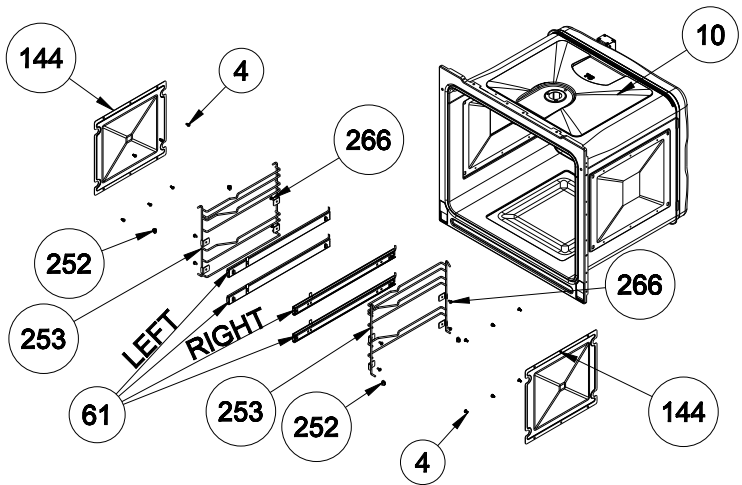
**WIRE SHELF CAVITY ASSEMBLY
WITH/ WITHOUT CATALYTIC PANEL
(OPTIONAL: SINGLE TELESCOPIC RAIL(R/L))**



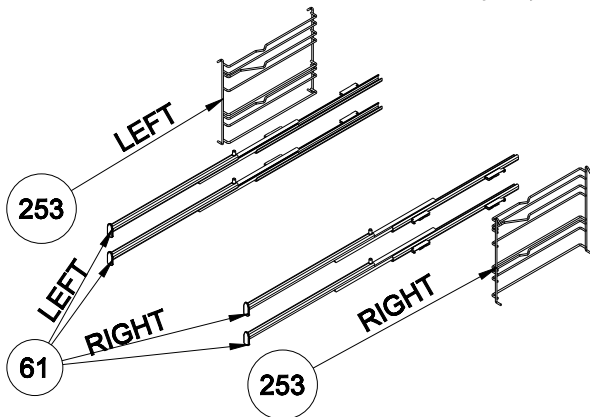
**CAVITY ASSEMBLY
WITH CATALYTIC PANEL
(OPTIONAL)**



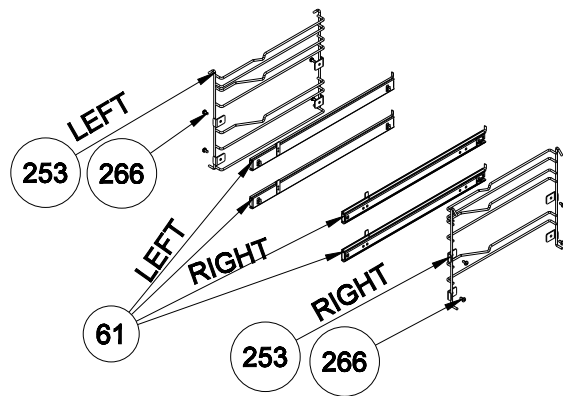
**WIRE SHELF CAVITY ASSEMBLY
WITH/ WITHOUT CATALYTIC PANEL
(OPTIONAL: DOUBLE TELESCOPIC RAIL(R/L))**



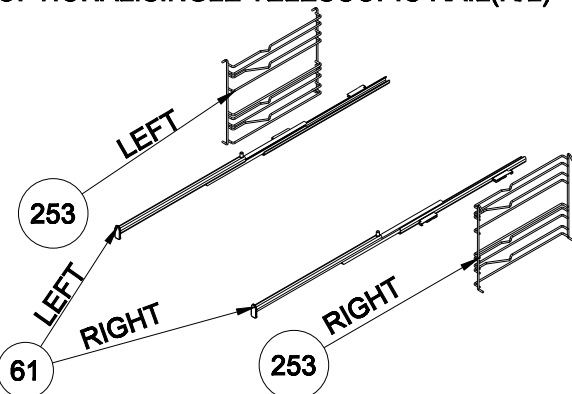
**POSITION NUMBER : 585
WIRE SHELF (FULL EXTENSION)
OPTIONAL: DOUBLE TELESCOPIC RAIL(R/L)**



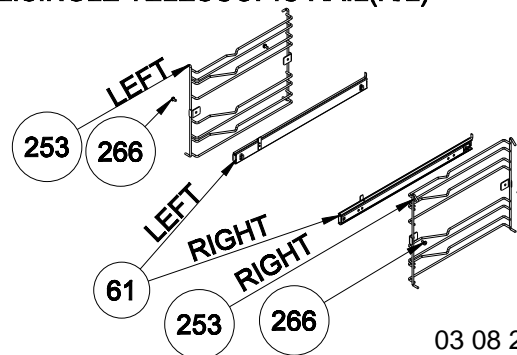
**POSITION NUMBER : 587
WIRE SHELF (SINGLE EXTENSION)
OPTIONAL: DOUBLE TELESCOPIC RAIL(R/L)**

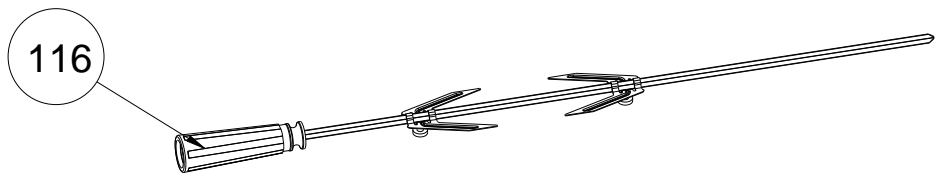


**POSITION NUMBER : 586
WIRE SHELF (FULL EXTENSION)
OPTIONAL: SINGLE TELESCOPIC RAIL(R/L)**

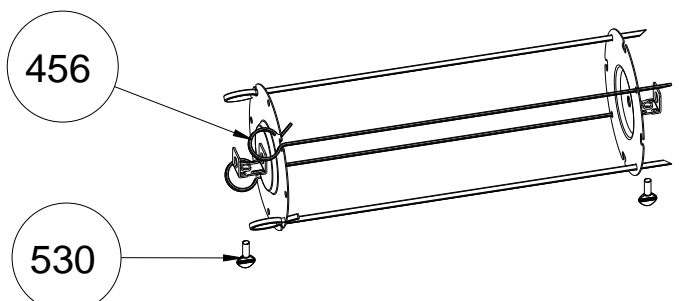


**POSITION NUMBER : 588
WIRE SHELF (SINGLE EXTENSION)
OPTIONAL: SINGLE TELESCOPIC RAIL(R/L)**

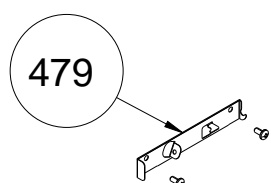




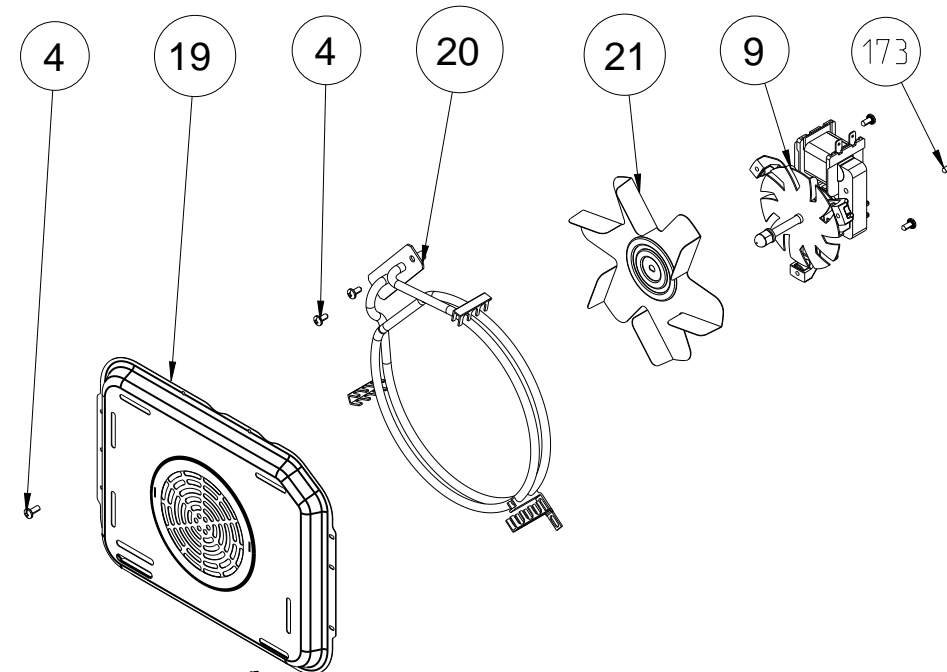
TURNSPIT SKEWER



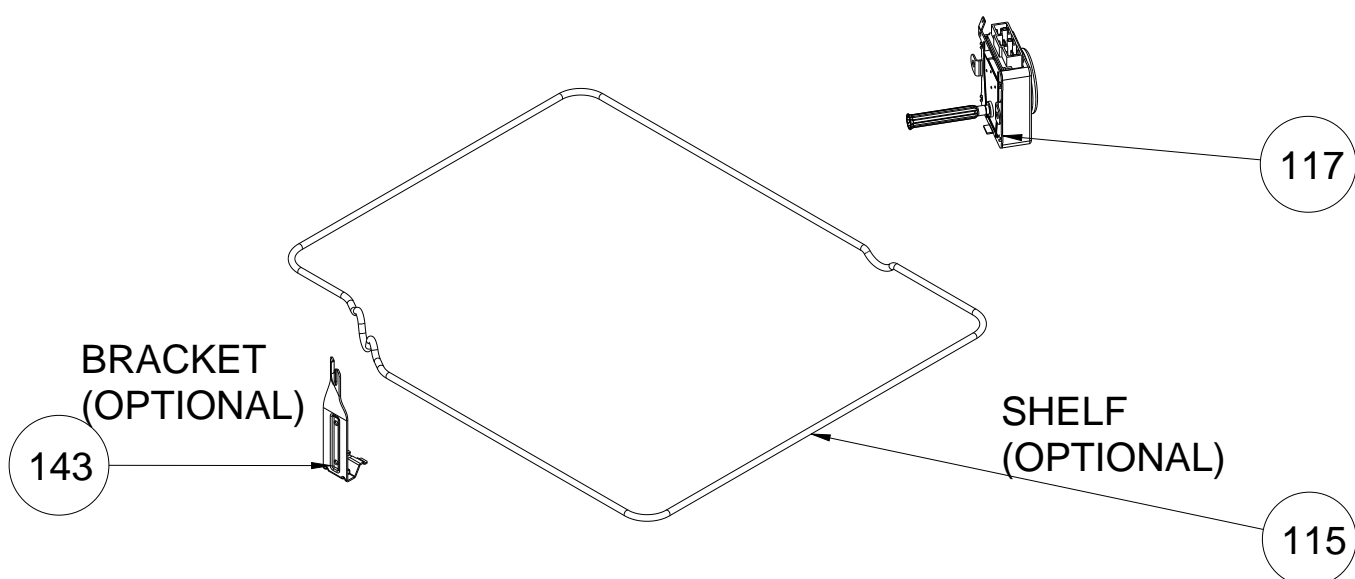
SHISH KEBAB ACCESSORY (OPTIONAL)



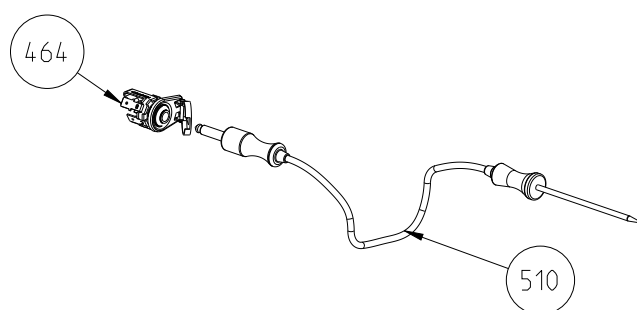
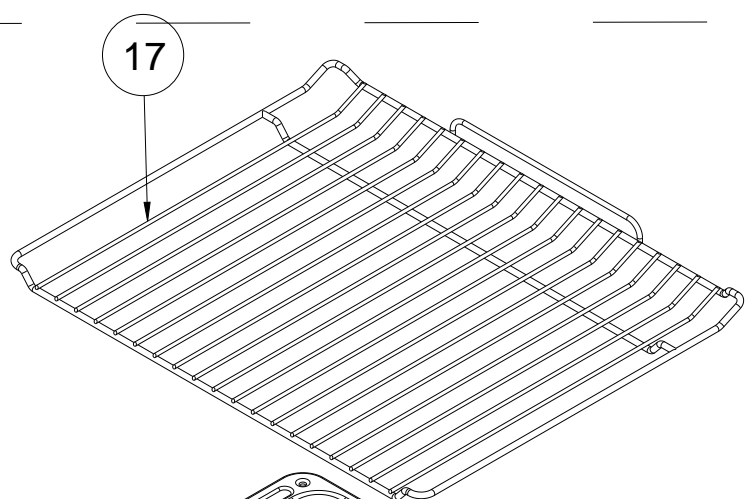
THERMIST BULB HOLDER/BACKET



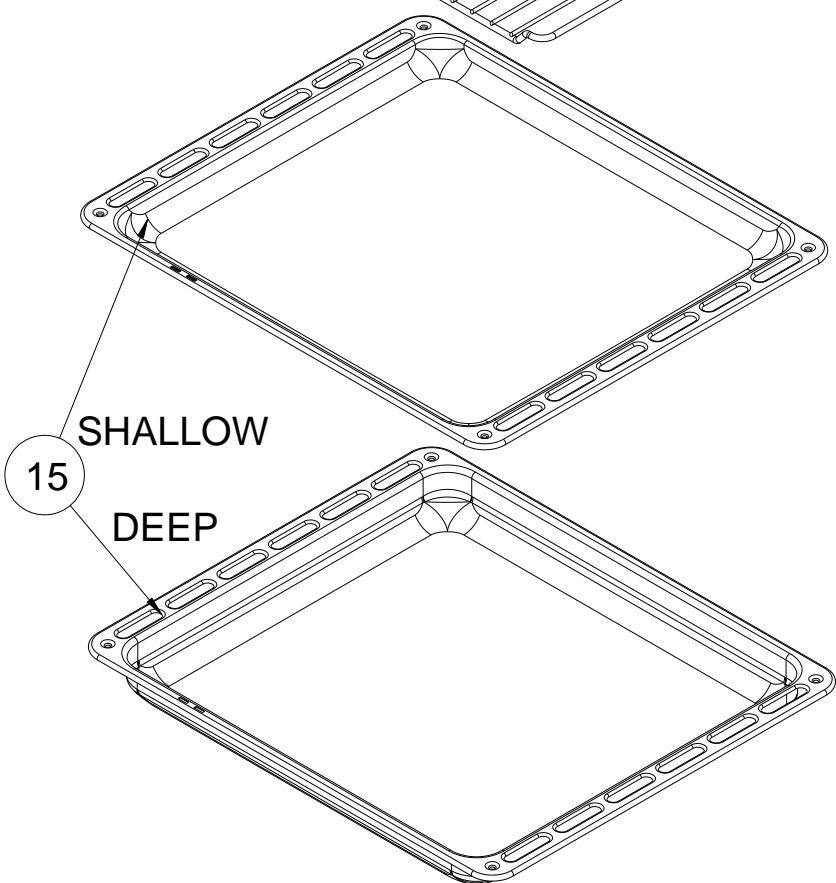
RING HEATING ELEMENT WITH FAN (OPTIONAL)



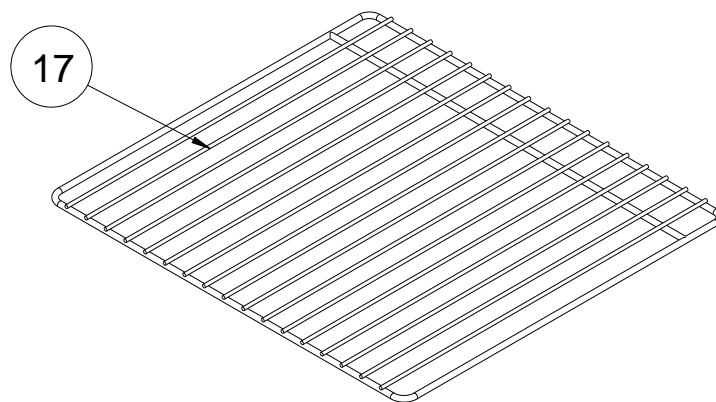
TURNSPIT(OPTIONAL)



MEAT PROBE GROUP

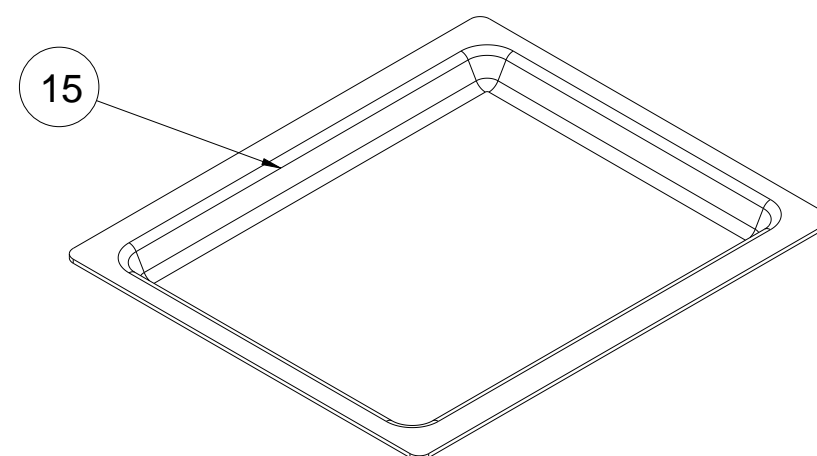


TRAYS & GRID (OPTIONAL)

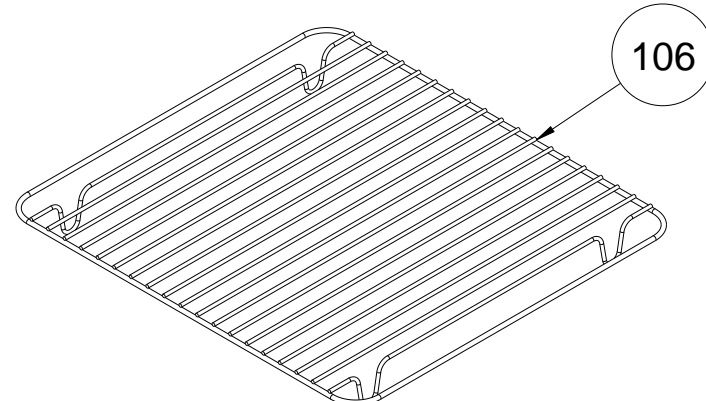


W. TELESCOPIC RAIL

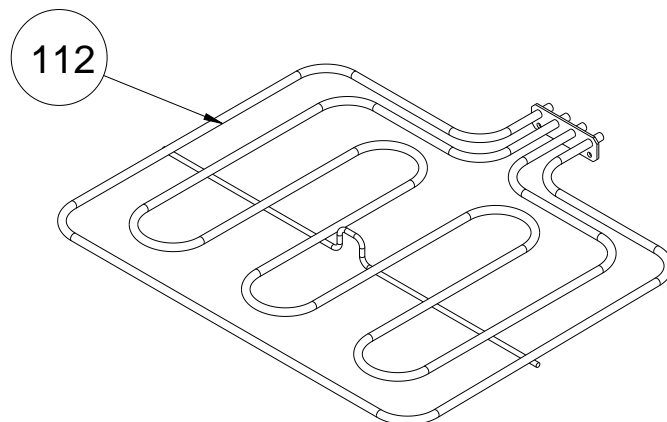
GRID (OPTIONAL)



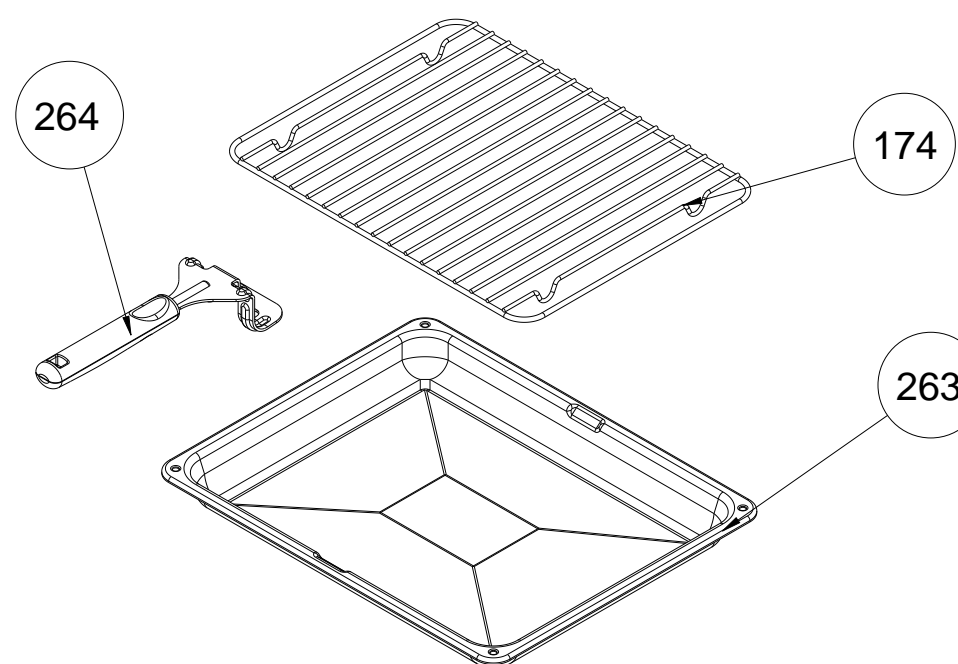
GLASS TRAY (OPTIONAL)



DEEP TRAY GRID (OPTIONAL)



TOP AND GRILL HEATING ELEMENT (OPTIONAL)



TRAY SET FOR GRID (POSITION NO : 265) (OPTIONAL)

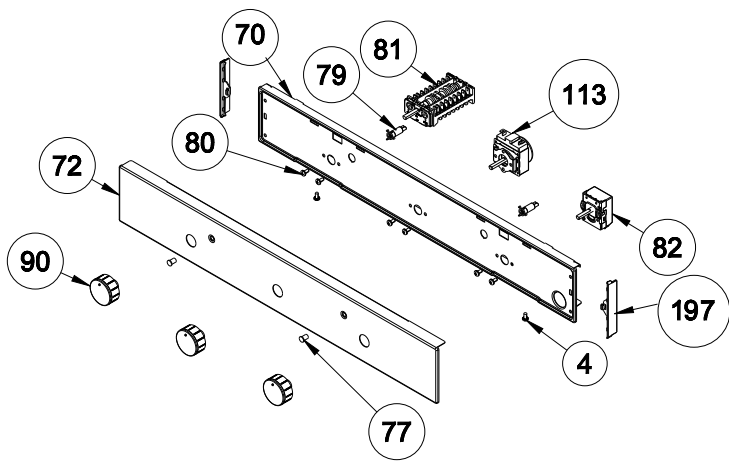
CAVITY ASSEMBLY SPARE PART LIST

POSITION NUMBER	PART NAME
2	OVEN LIGHT
4	SCREW(3.9x9.5)
7	REAR INSULATION COVER
9	FAN MOTOR
10	CAVITY
12	HINGE COUNTERPART
13	SCREW (COUNTERSUNK-HEAD, M4*8, BLACK)
15	TRAY (DEEP/SHALLOW/GLASS)
16	OVEN DOOR GASKET
17	GRID
19	FAN COVER
20	RING TUBULAR HEATING ELEMENT(
21	FAN IMPELLER
28	REAR TOP PANEL
29	REAR PANEL
30	TERMINAL BOX
31	POWER CORD
32	SIDE PANEL
40	SCREW (KNURLED, 3.5*9.5, BLUNT TYPE)
61	TELESCOPIC RAIL
71	SCREW (KNURLED, 3.9*6.5)
78	PYROLYTIC DOOR LOCK
80	SCREW (KNURLED, M4*6)
91	NUT
106	DEEP TRAY GRID
110	BOTTOM HEATING ELEMENT
111	BOTTOM HEATING ELEMENT HOLDER
112	GRILL HEATING ELEMENT
114	TOP AND GRILL HEATING ELEMENT CLIP
115	TURNSPIT GRILL
116	TURNSPIT SKEWER
117	TURNSPIT MOTOR
125	SPACER
126	SCREW (COUNTERSUNK-HEAD, 3.5*25, BLACK)
143	TURNSPIT HOUSE
144	SHELF(RIGHT-LEFT ,CATALYTIC ENAMELLED)
170	SCREW (4.2,9.5)
173	SCREW (KNURLED, 3.9*13)
174	TRAY GRID
200	BOTTOM PANEL
201	COOLING MOTOR
202	TOP INSULATION COVER
203	FCS AIR COOLING METALTUNNEL
205	LIMIT THERMOSTAT 80 ° C
207	TOP PANEL
242	PYROLYTIC LOOK BRACKET
252	WIRE SHELF FIXING CLIP
253	WIRE SHELF / RIGHT
263	GRILL TRAY
264	GRILL PAN HANDLE
265	GRILL PAN SET
266	SCREW (KNURLED, M4*4T, STAINLESS)

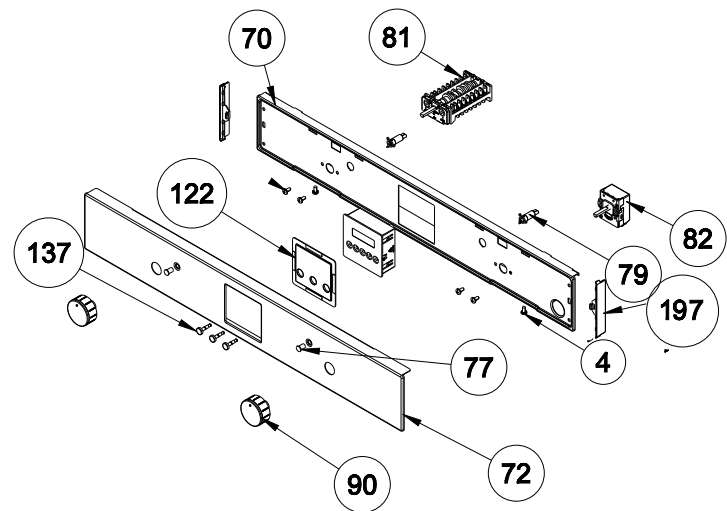
CAVITY ASSEMBLY SPARE PART LIST

POSITION NUMBER	PART NAME
328	WASHER (ENAMELLED,BLACK)
360	FG 75 STOPPER BUFFER
391	DOOR LOCK GASKET
394	OVEN LIGHT INSULATION SHIELD
449	LIMIT THERMOSTAT 140 ° C
452	LIMIT THERMOSTAT
453	LIMIT THERMOSTAT90 ° C
397	EXHAUST ROUTING PART
456	SHISH KEBAB ACCESSORY
479	THERMOSTAT BULB HOLDER
515	ELECTRONIC THERMOSTAT
521	WIRE SADDLE
552	EXHAUST
585	STRING SHELF GROUP(FULL EXTENSION)
586	STRING SHELF GROUP(FULL EXTENSION)
587	STRING SHELF GROUP(SINGLE EXTENSION)
588	STRING SHELF GROUP(SINGLE EXTENSION)
608	LIMITER BRACKET WITH SCREWING
614	FCS TOP AIR COOLING METAL
618	OVEN LAMP BULB
621	FRAME SUPPORT PART (LEFT / RIGHT)

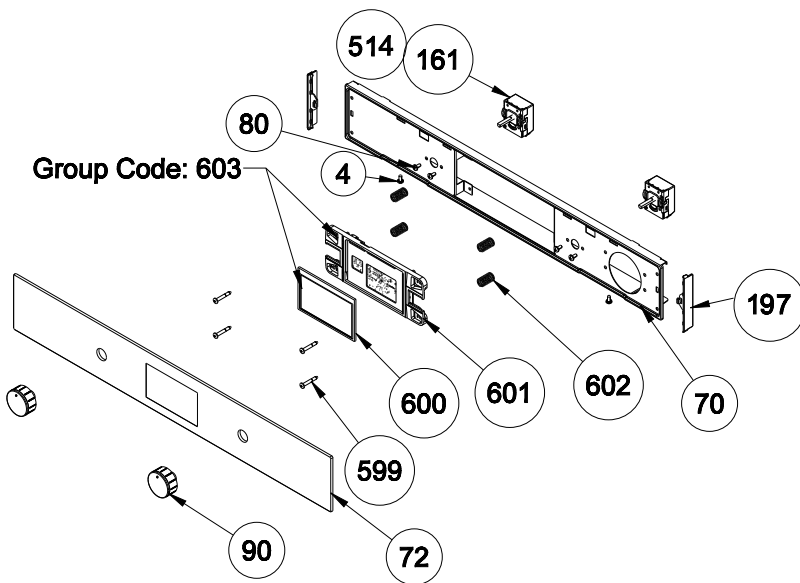
The exploded views give in this document are generic.They included all possible versions of the prproduct.For specific part code please refer to the bom list of regarding model.



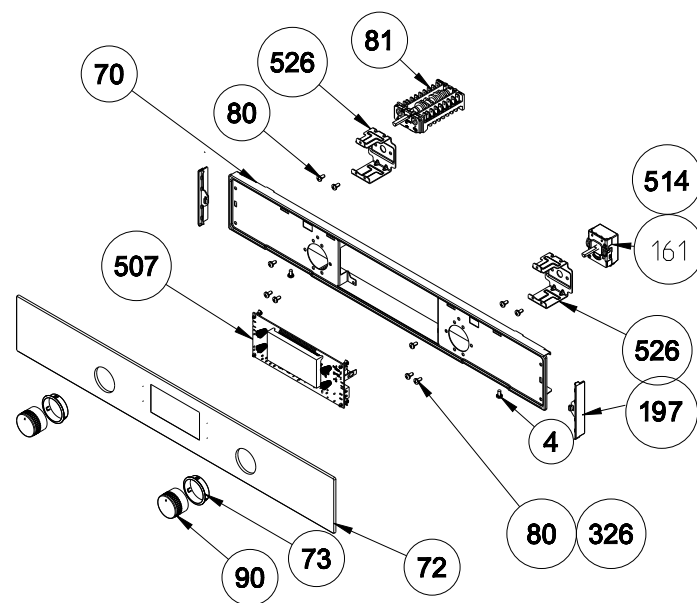
METAL CONTROL PANEL WITH MECHANIC TIMER ASSEMBLY (OPTIONAL)



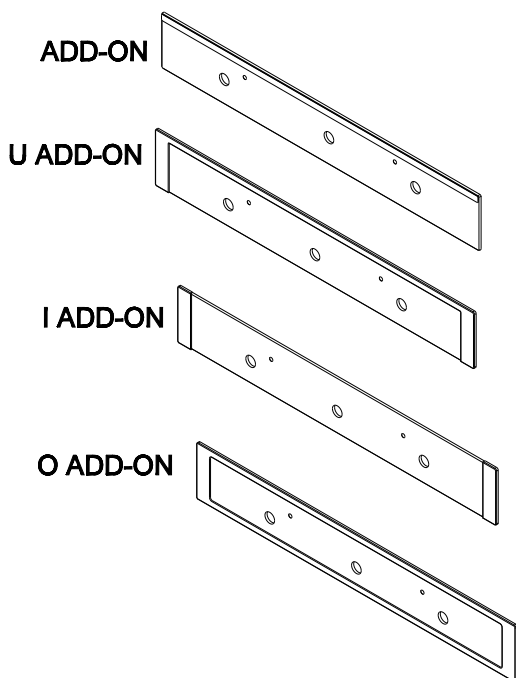
METAL CONTROL PANEL WITH DIGITAL TIMER ASSEMBLY (OPTIONAL)



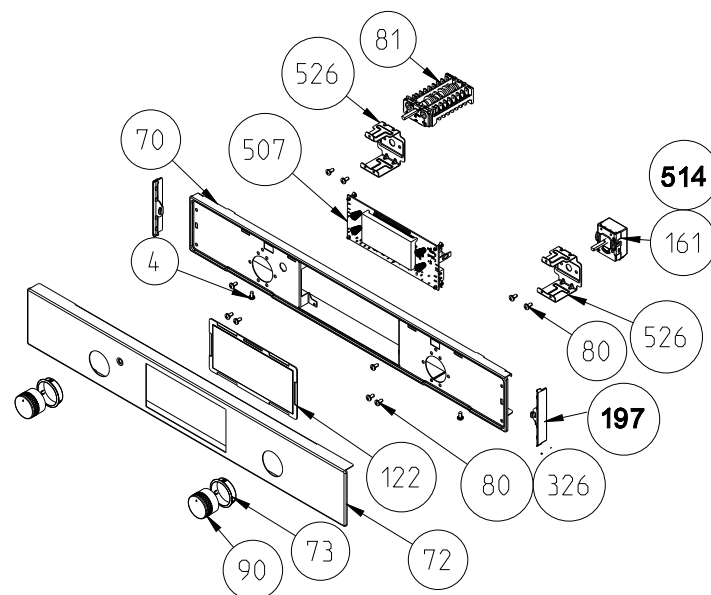
LCD SMART GLASS CONTROL PANEL ASSEMBLY (OPTIONAL)



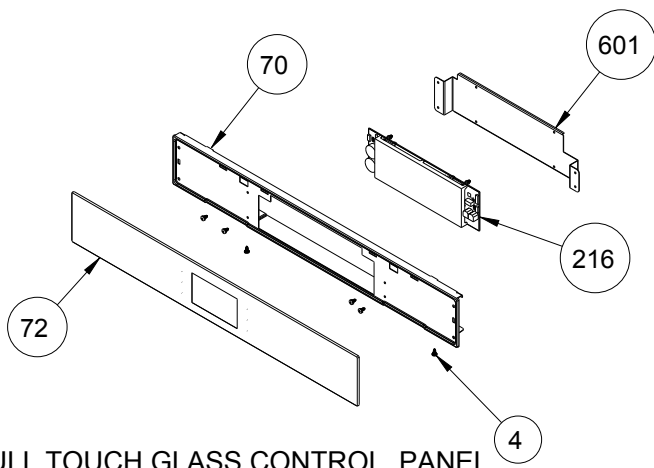
VISIO TOUCH GLASS CONTROL PANEL ASSEMBLY (OPTIONAL)



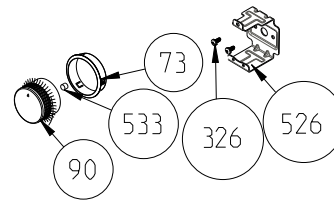
GLASS CONTROL PANEL WITH INOX ADD-ONS (OPTIONAL)



VISIO TOUCH METAL CONTROL PANEL ASSEMBLY (OPTIONAL)



FULL TOUCH GLASS CONTROL PANEL ASSEMBLY (OPTIONAL)



POP-IN
POP-OUT KNOB
(OPTIONAL)

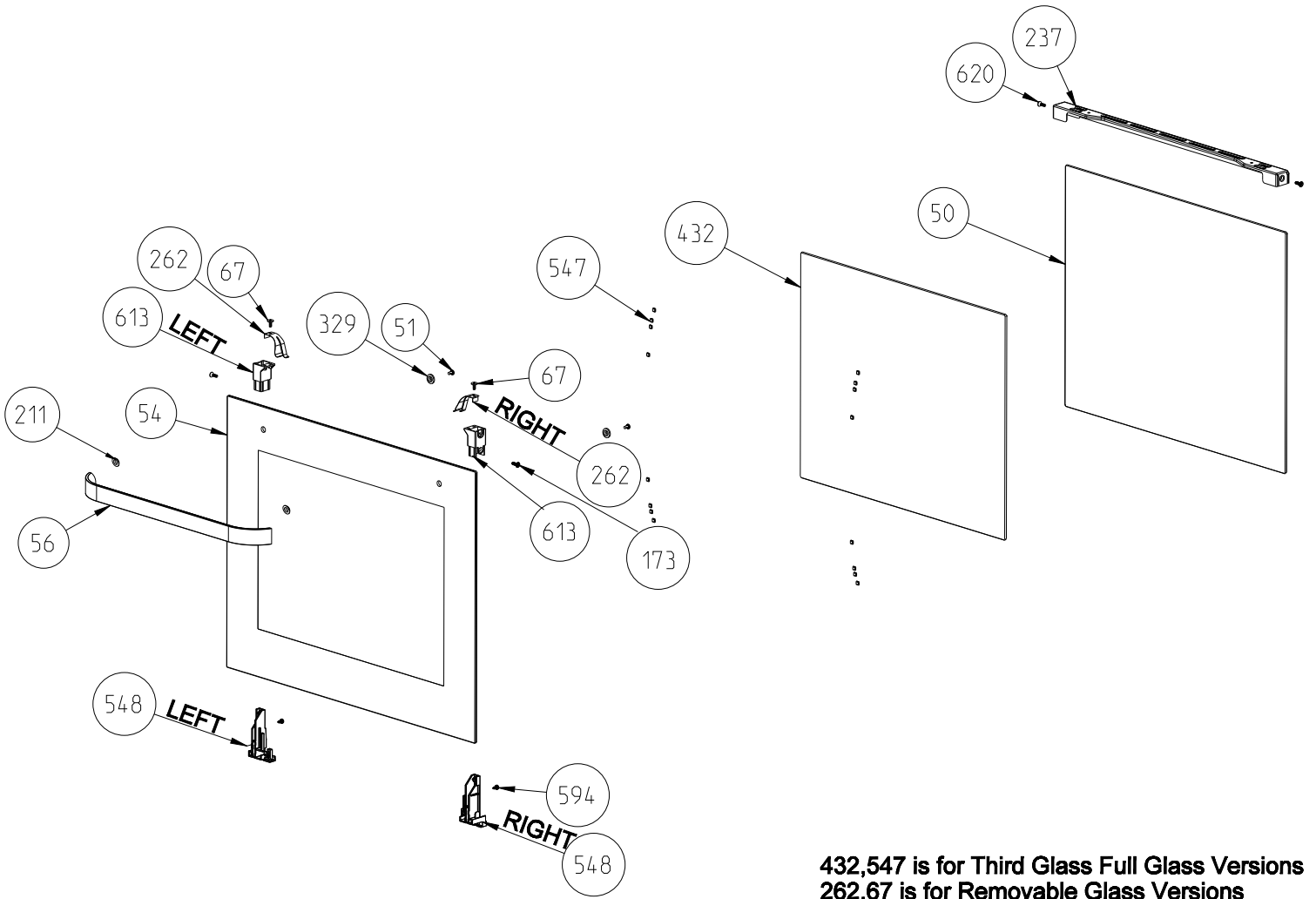
CONTROL PANEL ASSEMBLY SPARE PART LIST

POSITION NUMBER	PART NAME
4	SCREW (KNURLED 3,9X9,5)
70	INNER PANEL
72	FRONT PANEL GROUP (GLASS / METAL)
73	KNOB RING
74	KNOB SPRING
77	SIGNAL LAMP LENS
79	SIGNAL LAMP BODY
80	SCREW KNURLED (M4X6)
81	FUNCTION SELECTOR SWITCH
82	CAPILLARY THERMOSTAT
90	KNOB-ELECTRICAL
113	TIMER (MECHANIC / DIGITAL / ANALOG)
122	DIGITAL TIMER LENS (BULD-IN / FS)
137	TIMER BUTTON
161 /514	ENCODER / ENCODER (pyrolytic) SWITCH
216	TOUCH CONTROL UNIT
326	SCREW (KNURLED M4X8)
507	VISIO CONTROL WITH TOUCH INTERFACE
526	POP IN ASSEMBLY BRACKET (BUILT-IN)
533	KNOB FEED GASKET
592	VSTL FRN ANKRT 09/19/50/51 FR10 GROUP
599	TFT MODUL SCREW
600	VSTL LCD KNOB WIFI FR15 23103296
601	TFT DISPLAY HOLDER
602	TFT MODUL SPRING
603	VSTL LCD FR15 GROUP

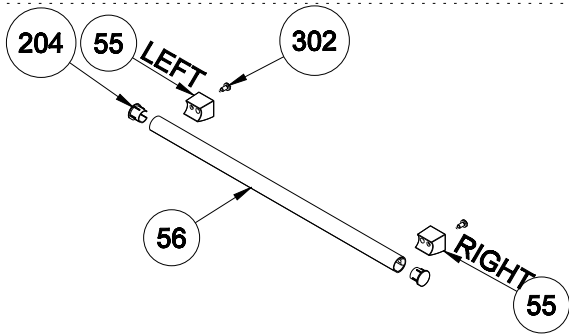
The exploded views in given in this document are generic.They include all possible versions of product. For specific part codes,please refer to the bom list regarding model.

75 LT BUILT-IN OVEN DOOR ASSEMBLY

POSITION NUMBER:377



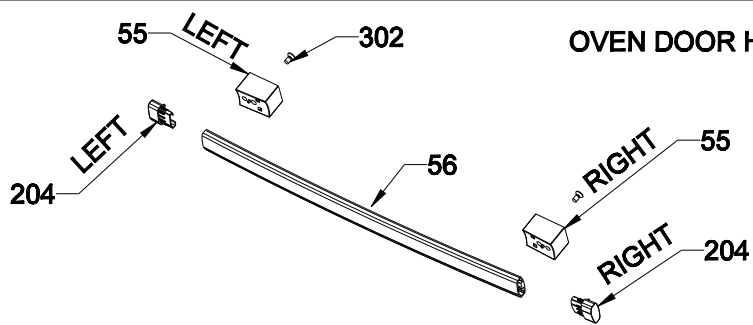
432,547 is for Third Glass Full Glass Versions
262,67 is for Removable Glass Versions



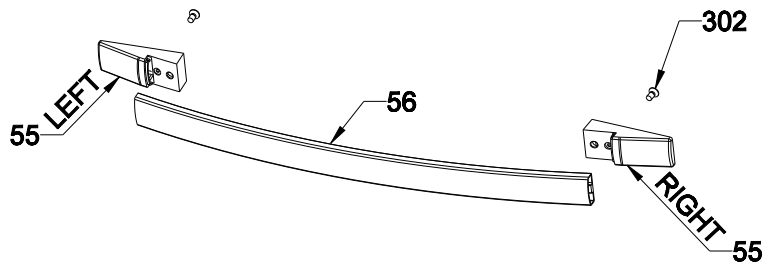
HANDLE BODY WITH
HANDLE BRACKET (OPTIONAL)

OVEN DOOR ASSEMBLY SPARE PART LIST	
POSITION NUMBER	PART NAME
50	INNER GLASS ASSEMBLY
51	SCREW (YSB, M5*12, BLACK)
54	OUTER GLASS ASSMBLY
55	BRACKET WITH HANDLE CAP
56	HANDLE BODY
67	FG GLASS SPRING CONTACT SCREW
173	SCREW (YHB,3.9*13,BLACK)
204	HANDLE TAP
211	HANDLE ASSEMBLY GASKET
237	FULL GLASS OVEN DOOR TOP COVER
262	FG GLASS SPRING
302	HANDLE BRACKET WITH CAP CONTACT SCREW
329	WASHER
377	PROFILE OVEN DOOR ASSEMBLY
432	75L BUILT-IN FIG DOOR MIDDLE GLASS
547	FG SILICON RING
548	NEW PLASTIC HINGE SLOT (LEFT / RIGHT)
594	NEW PLASTIC HINGE SLOT CONTACT SCREW
613	PROFILE EXTENSION (75L,BUILT-IN,BLACK)
<p>The exploded views given in this document are generic. They include all possible versions of product. For specific part codes,please refer to the bom list of regarding model.</p>	

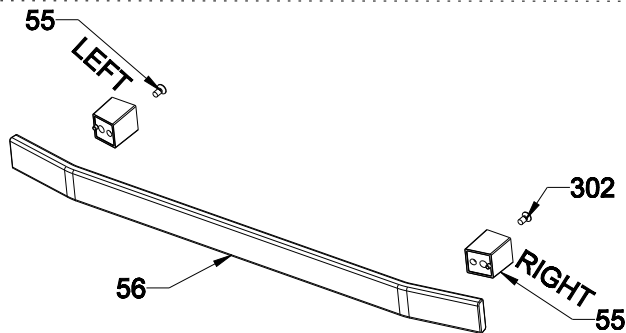
OVEN DOOR HANDLES (OPTIONAL)



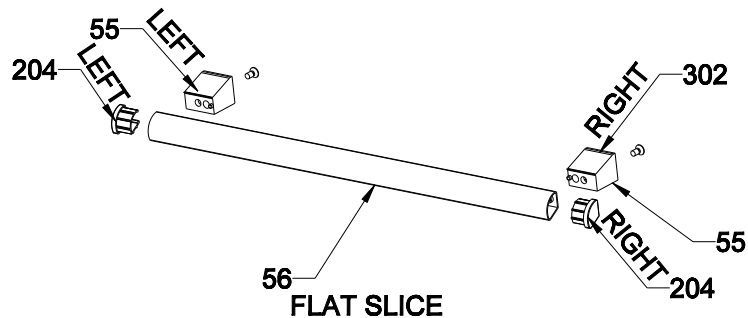
CURVED QUADRANGLE



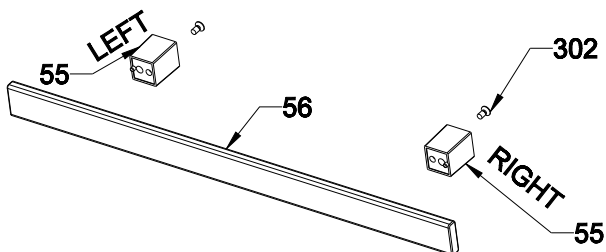
ARC QUADRANGLE



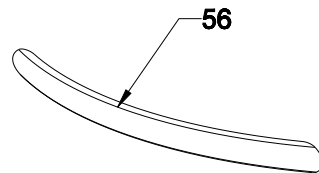
3D QUADRANGLE



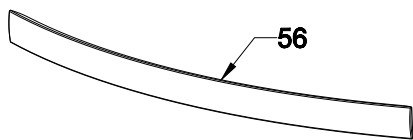
FLAT SLICE



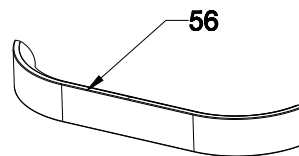
FLAT QUADRANGLE



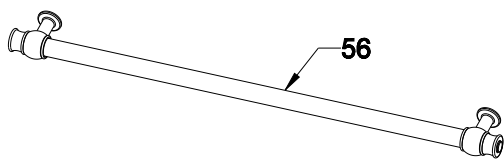
ELLIPSE ARC



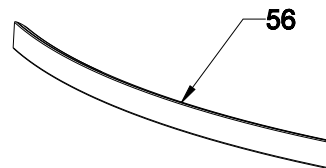
D PROFILE ARC, ELECTROLUX



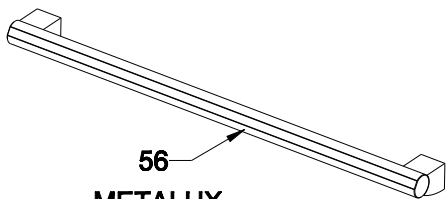
BOW



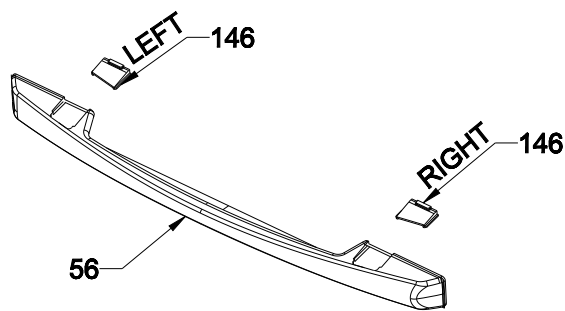
RUSTIK RISUS



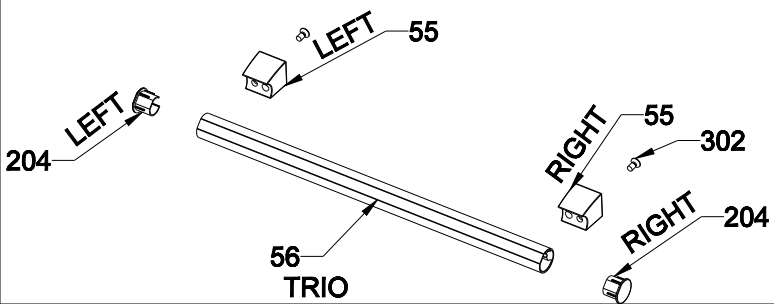
D PROFILE ARC



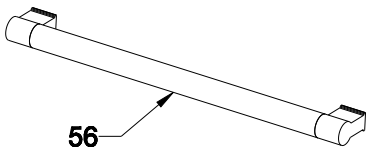
METALUX



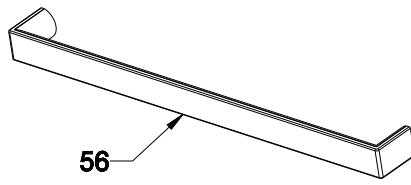
HANDLE WITHOUT FAN



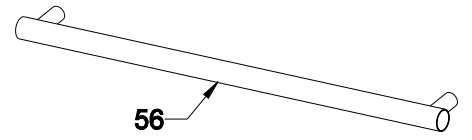
TRIO



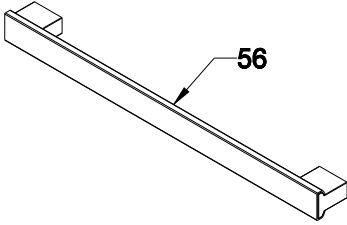
TROY



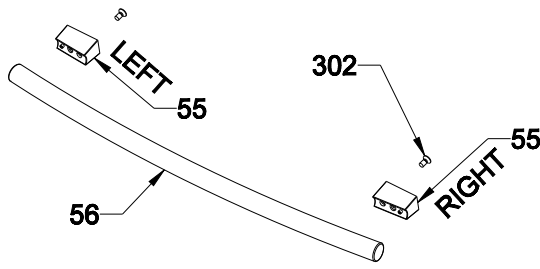
VERO



CYLINDER

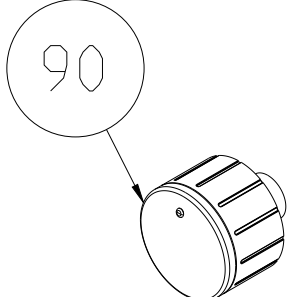
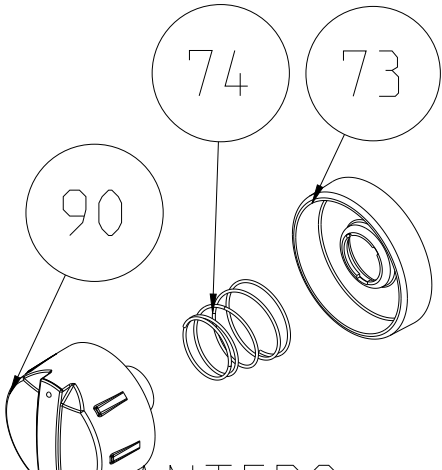
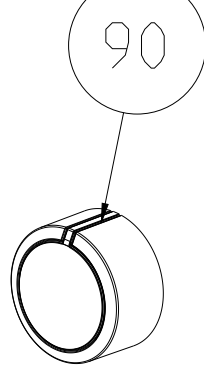


TITAN VESTEL & SHARP ONLY



ARC TUBE

KNOBBS (ONLY FOR BUILT-IN - OPTIONAL)

 <p>90</p> <p>DELTA</p>	 <p>90 74 73</p> <p>DELTA RING</p>	 <p>90</p> <p>ALFA</p>	 <p>90</p> <p>GAMA</p>	 <p>90</p> <p>ZETA</p>	 <p>90 74 73</p> <p>SIGMA(SMALL)</p>
 <p>90 74 73</p> <p>TRIO</p>	 <p>90</p> <p>CANDY</p>	 <p>90</p> <p>ECLIPSE</p>	 <p>90</p> <p>RUSTIC RISUS</p>	 <p>90</p> <p>BIG MACRO</p>	 <p>90</p> <p>SMALL MACRO</p>
 <p>90</p> <p>VESTA</p>	 <p>90</p> <p>JANNU</p>	 <p>90</p> <p>NORD</p>	 <p>90 74 73</p> <p>OMEGA</p>	 <p>90 74 73</p> <p>EPSILON</p>	 <p>90 74 73</p> <p>GAMA RING</p>
 <p>90 74 73</p> <p>ECLIPSE RING</p>	 <p>90 74 73</p> <p>SPECTRUM</p>	 <p>90 74 73</p> <p>RIMO</p>	 <p>90</p> <p>VARIO</p>	 <p>90 74 73</p> <p>ANTERO</p>	 <p>90</p> <p>POP-IN</p>
 <p>90 74 73</p> <p>LUNA RING</p>	 <p>90</p> <p>ORBIS</p>	 <p>90</p> <p>SIGNUM</p>			