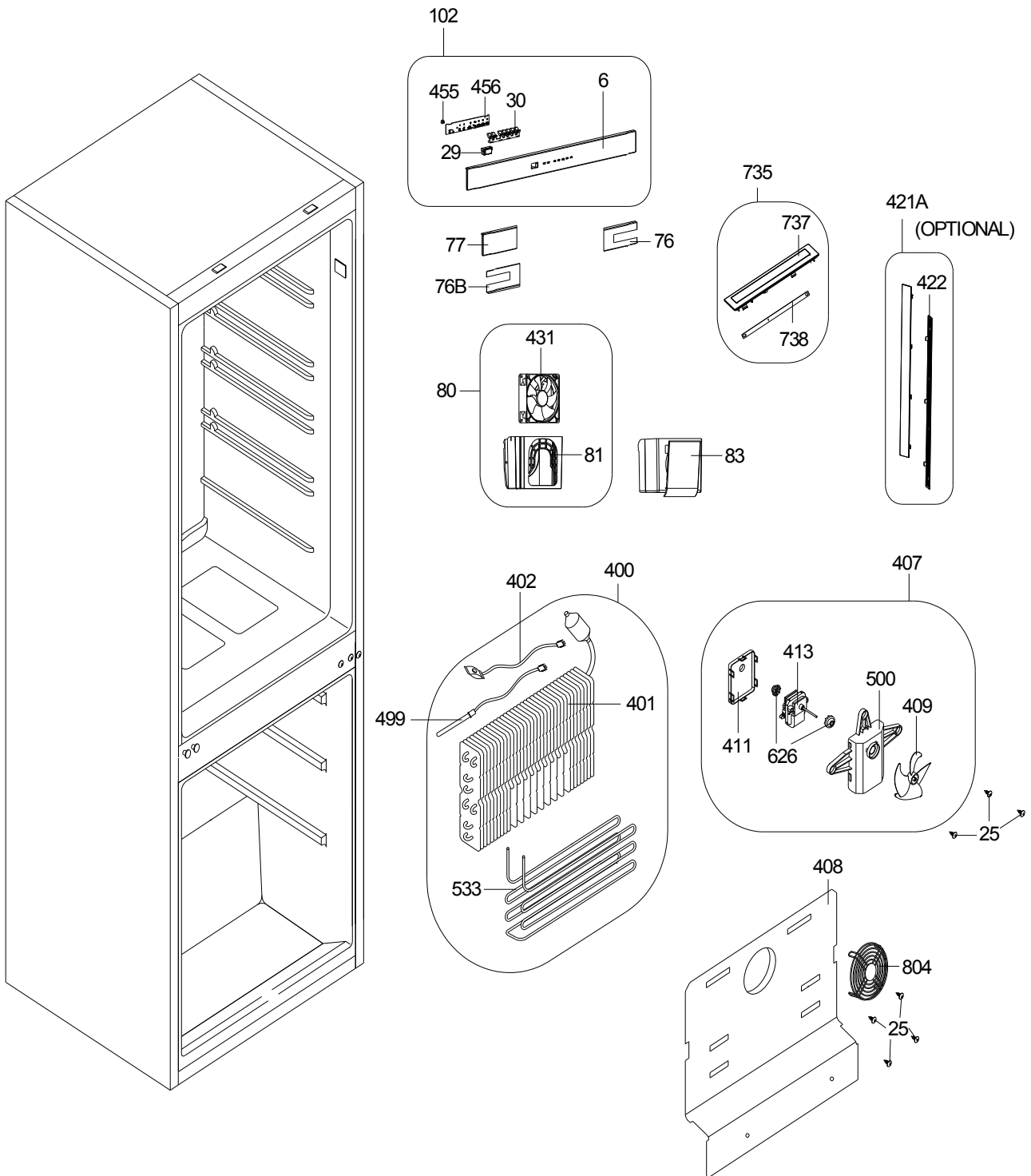
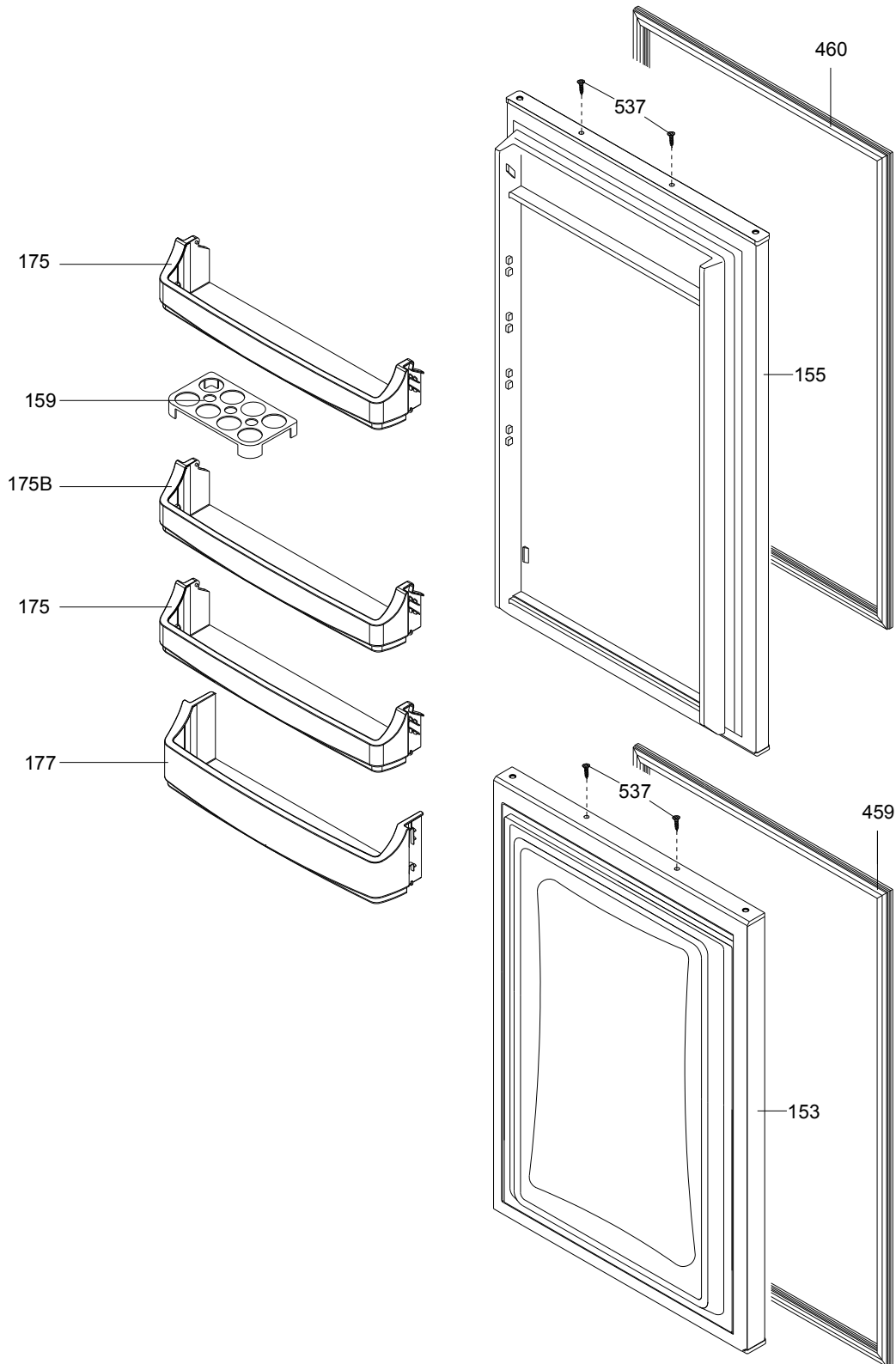


POSITION NUMBER	PART NAME
7	SCREW M5*14 YSB-F
11	MIDDLE HINGE SCREW CAP (SMALL)
12	MIDDLE HINGE SCREW CAP (BIG)
14	TUNNEL DRAIN PLUG
18	ICE TRAY
19A	F GLASS TOP SHELF/319
19B	F GLASS BOTTOM SHELF/2751
25	SCREW 40*13 YSB-R-C-INOX
32	SCREW KA 40*18 YSB-C-INOX
37	R COMPARTMENT SHELF
38A	R.GLASS SHELF FRONT
38B	R.GLASS SHELF BACK
38C	GLASS SHELF BACK CORNER TRIM RIGHT
38D	GLASS SHELF BACK CORNER TRIM LEFT
39	CRISPER UPPER GLASS SHELF
40	CRISPER COVER TRIM
41	R.CRISPER GR.
71	WINE SHELF
92	TOP BASK.GR
117	F COVER SUPPORT R/390
120	F COVER SUPPORT L/390
213	SCREW 4.2*9.5 DIN 7981 YSB
315	DOOR SWITCH
326	FILTER HOLDER GR (OPTIONAL)
476	DOD PACKAGE GR
477	TOP BRACKET/ANK
481	SEALING/3200 ANK-DOD
506	DOD HANG COVER/1400ANK
507	DOD -DOOR HANG/1400 ANK
508	DOD- DOOR BOTTOM FIXING/1400 ANK
509	TOP HINGE DOD/1400 ANK
510	SCREW M5*14 YHB-F
511	BOTTOM/HINGE DOD/1400 ANK
512	FOOT DOD/ANK
569	BOTTOM BASK.GR
570	F COVER



INTERIOR PARTS LIST-2

POSITION NUMBER	PART NAME
2	BOTTOM/TOP HINGE SS/1400 ANK
7	SCREW M5*14 YSB-F
11	MIDDLE HINGE SCREW CAP (SMALL)
12	MIDDLE HINGE SCREW CAP (BIG)
14	TUNNEL DRAIN PLUG
18	ICE TRAY
19A	F GLASS TOP SHELF/319
19B	F GLASS BOTTOM SHELF/2751
25	SCREW 40*13 YSB-R-C-INOX
32	SCREW KA 40*18 YSB-C-INOX
37	R COMPARTMENT SHELF
38A	R.GLASS SHELF FRONT
38B	R.GLASS SHELF BACK
38C	GLASS SHELF BACK CORNER TRIM RIGHT
38D	GLASS SHELF BACK CORNER TRIM LEFT
39	CRISPER UPPER GLASS SHELF
40	CRISPER COVER TRIM
41	R.CRISPER GR.
71	WINE SHELF
92	TOP BASK.GR
117	F COVER SUPPORT R/390
120	F COVER SUPPORT L/390
213	SCREW 4.2*9.5 DIN 7981 YSB
315	DOOR SWITCH
421A	LED COVER GR/373 RIGHT
422	LED STRIP/3014*12/8*385MM/12V/463M
471	FOOT SS/ANK (RIGHT)
472	SS BOTTOM WHELL PIN/ANK
474	FOOT SS/ANK (LEFT)
476	SS PACKAGE GR/3200 ANK
477	TOP BRACKET/ANK
478	SS DOOR REAL/1400 ANK
479	SS DOOR GUIDE/1400 ANK
480	SCREW 4*17 YHB
481	SEALING/3200 ANK-SS
482	MIDDLE SS HINGE/2600 ANK
483	SS MIDDLE WHELL/ANK
510	SCREW M5*14 F,ST,A2K,TT
569	BOTTOM BASK.GR
570	F COVER



AUGUST 2017

VESTEL WHITE GOODS	BUILT IN-COMBI 2761-ELECTRONIC	CUSTOMER SUPPORT
	DOOR ASSY. PARTS LIST	

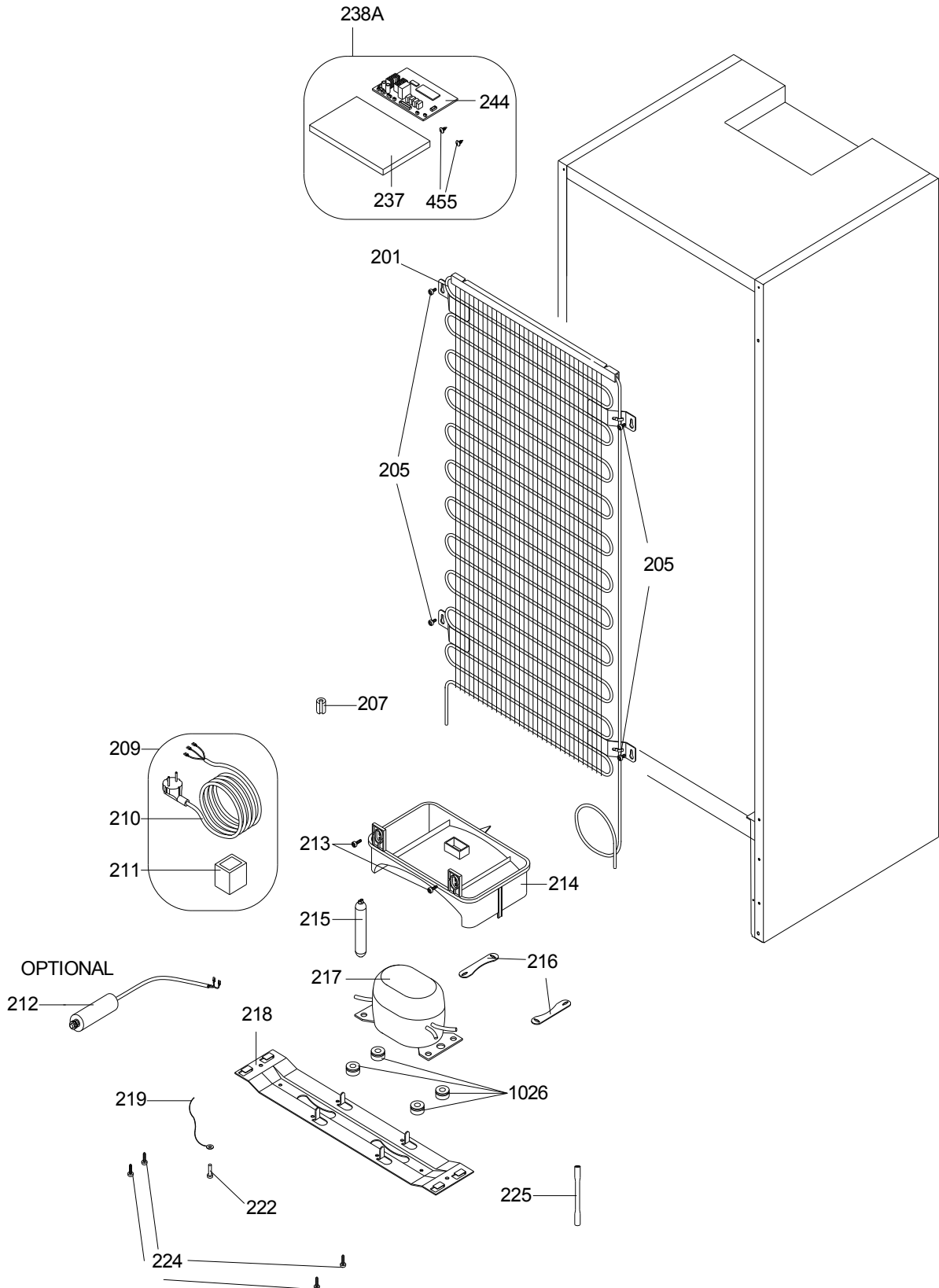
POSITION NUMBER	PART NAME
153	F DOOR ASSY/2761 ANK DOD-CAP
155	R DOOR ASSY/2761 ANK DOD-CAP
159	EGG HOLDER
175	CHEESE BUTTER SHELF
175B	ADJ. DOOR SHELF GR
177	BOTTLE SHELF
459	F DOOR GASKET/2761
460	R DOOR GASKET/2761
537	SCREW GR/ ANK-DOD

ABBREVIATIONS :

ASSY : ASSEMBLY
 R : REFRIGERATOR
 F : FREEZER

AUGUST 2017

UNIT PARTS



VESTEL WHITE GOODS	BUILT IN-COMBI 2761-ELECTRONIC	CUSTOMER SUPPORT
	UNIT PARTS LIST	

POSITION NUMBER	PART NAME
201	MAIN CONDANSER
205	SCREW ST 4.8*13 YSB-T-C
207	ANTIVIBRATION (CONDENSER)
209	POWER CORD GR
210	POWER CORD
211	OVER LOAD RELAY
212	CAPACITOR (OPTIONAL)
213	SCREW 4.2*9.5 DIN 7981 YSB
214	EVAPORATING TRAY
215	DRYER
216	COMP. FIXING BRACKET
217	COMPRESSOR
218	COMP BASEMENT
219	GROUNDING WIRE
222	SCREW TT M4*6 YSB-T-F
224	SCREW KA 50*14 YSB-F
225	SERVICE TUBE
237	MAINBOARD COVER
238A	MAINBOARD COVER GR
244	MAIN B./BDA52/NOSW-23312183
455	SCREW KA 30*6 YSB-F
1026	COMPRESSOR RUBBER

AUGUST 2017