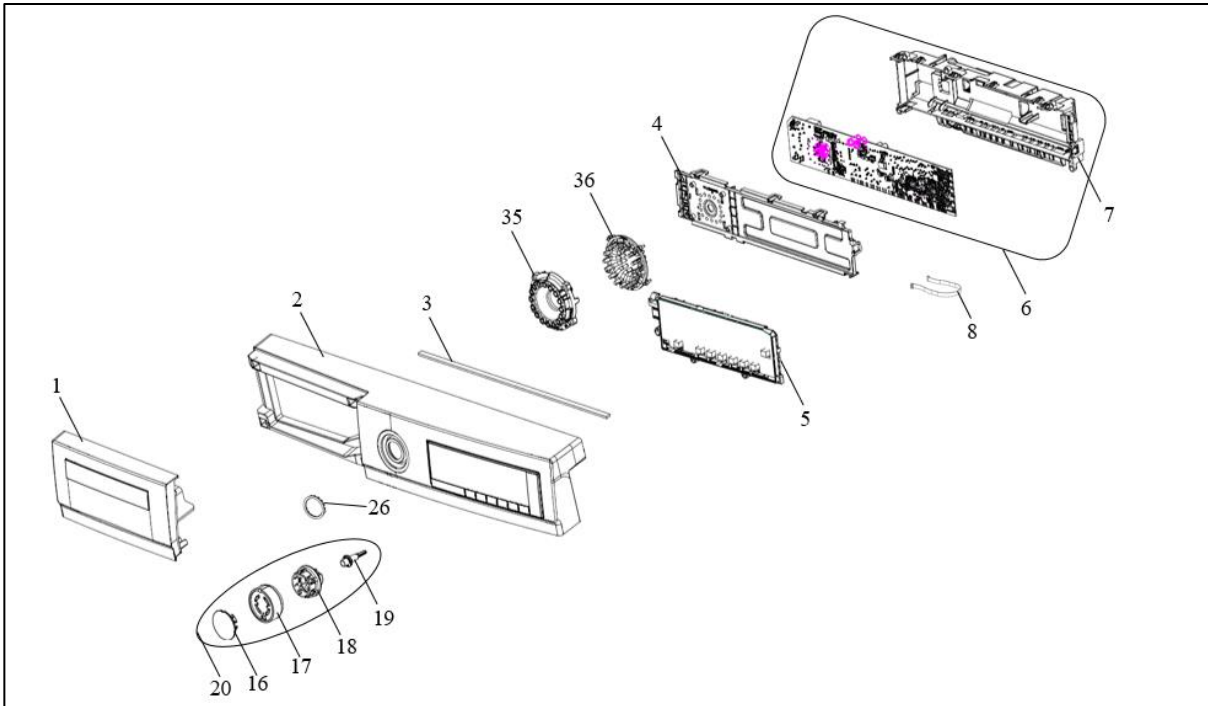
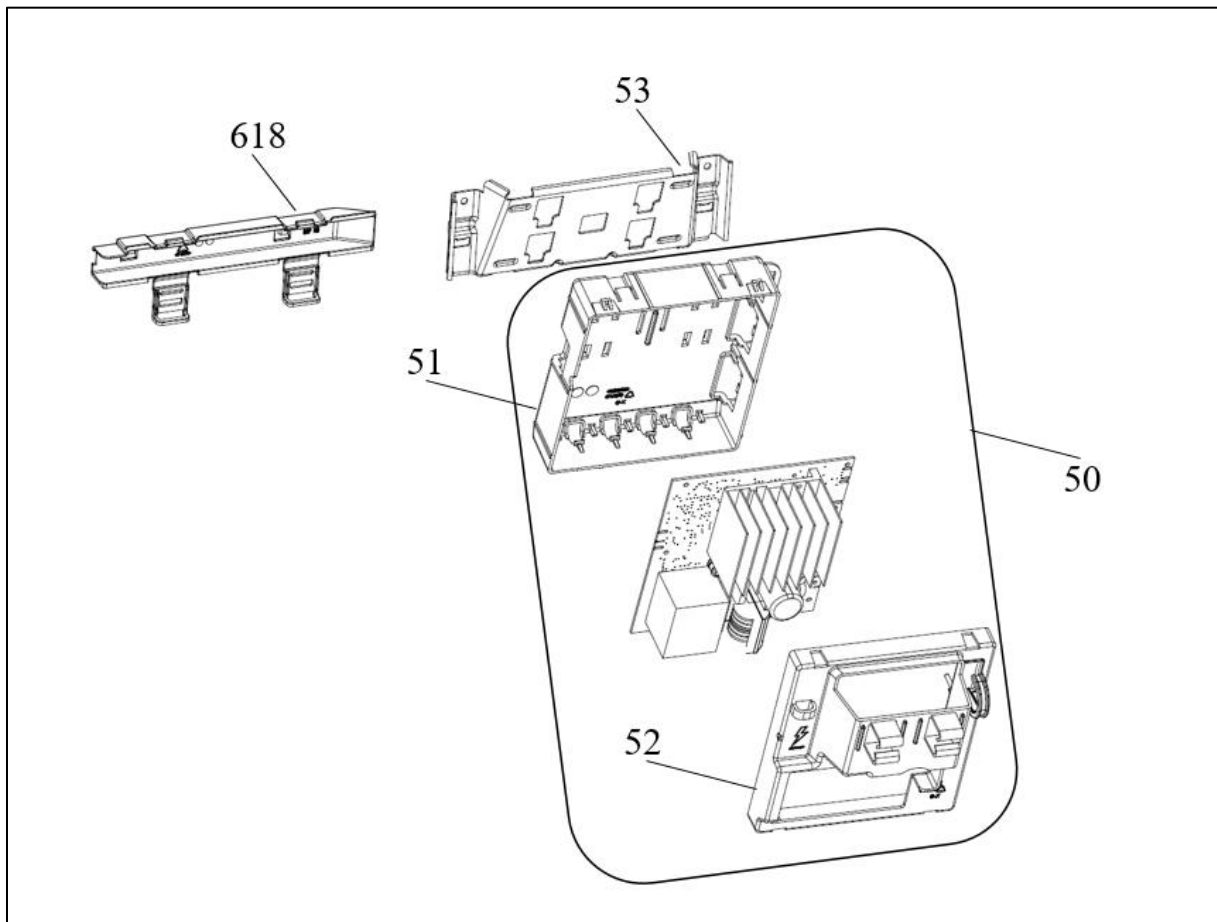
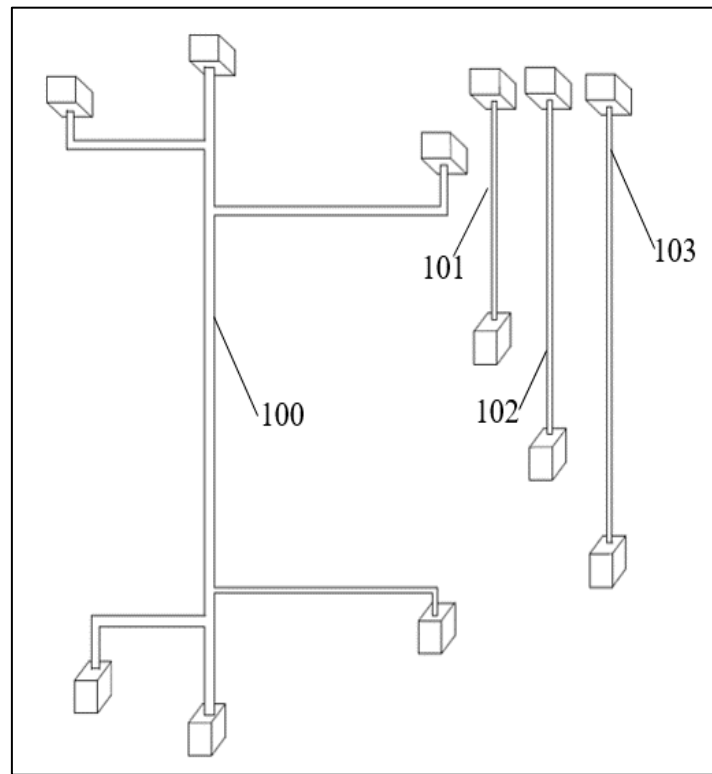


**1. CONTROL PANEL PARTS**

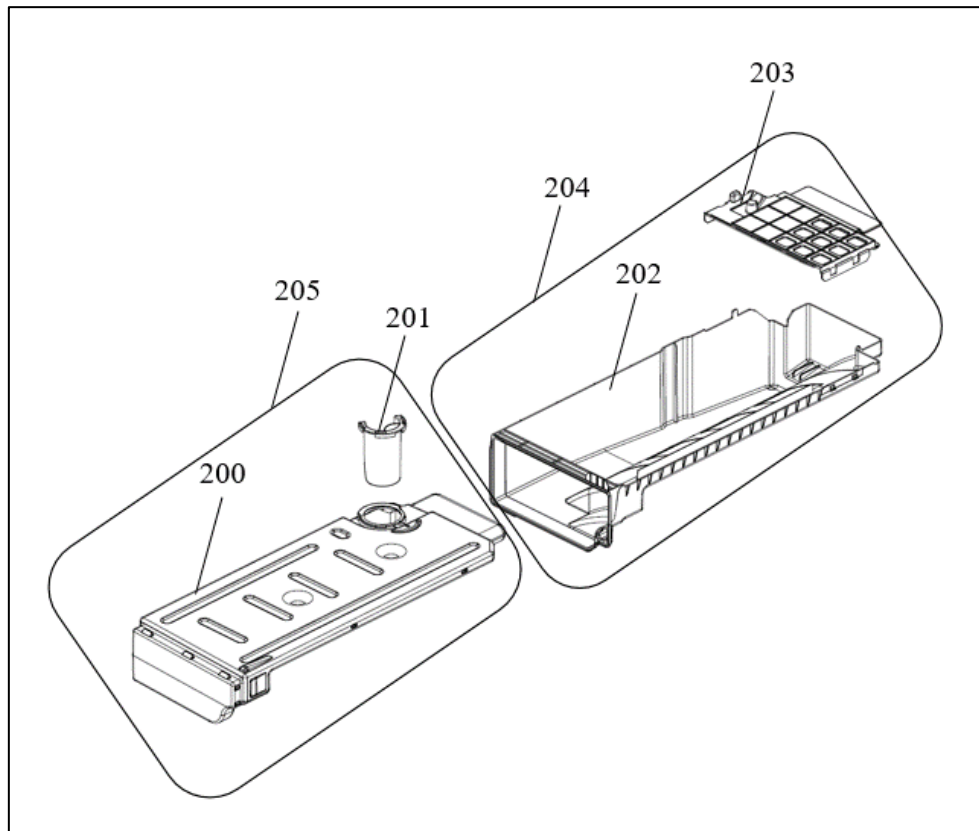
NO	PART NAME	QUANTITY
1	WATER TANK DRAWER COVER	1
2	CONTROL PANEL	1
3	CONTROL PANEL ISOLATION	1
4	PCB BOX COVER	1
5	T3 UI CARD GR	1
6	PCB BOARD GR	1
7	PCB BOX	1
8	UI CONNECTION CABLE	1
16	PROGRAM SELECTION KNOB COVER	1
17	PROGRAM SELECTION KNOB BODY	1
18	PROGRAM SELECTION KNOB INS. PART	1
19	PROGRAM SELECTION SHAFT	1
20	PROGRAM SELECTION KNOB	1
23	CONTROL PANEL GR (1-2-20-26)	1
26	LIGHT GUIDE RING	1
35	JOG DIAL LIGHT GUIDE COVER	1
36	JOG DIAL LIGHT GUIDE	1

**2. INVERTER MOTOR CARD PARTS**

NO	PART NAME	QUANTITY
50	INVERTER CARD GR	1
51	INVERTER CARD BOX	1
52	INVERTER CARD COVER	1
53	INVERTER CONNECTION SHEET	1
618	CABLE HOLDER PLASTIC	1

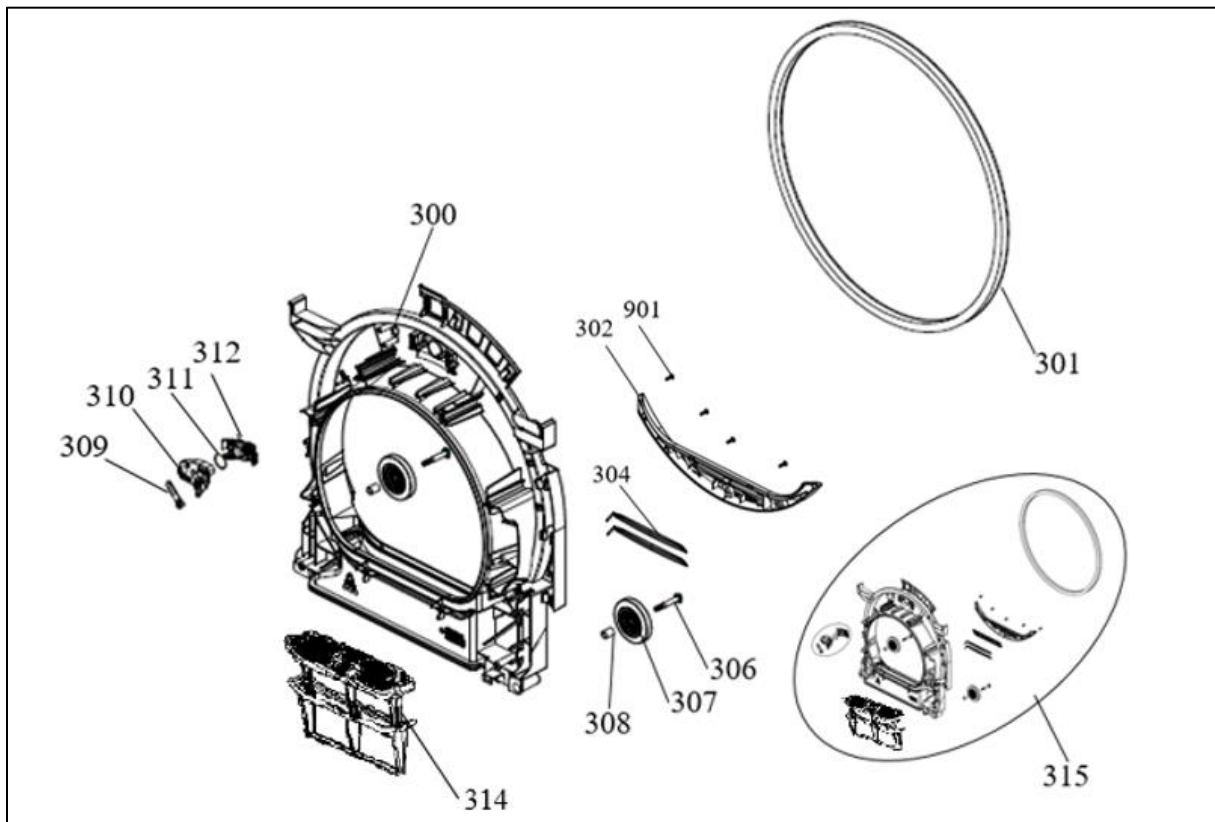
**3. CABLE GROUP PARTS**

NO	PART NAME	QUANTITY
100	CABLE TREE	1
101	DRUMLIGHT CABLE	1
102	DOOR LATCH CABLE	1
103	HUMMIDITY SENSOR CABLE	1
104	CABLE GR ( 100-618 )	1

**4. WATER TANK PARTS**

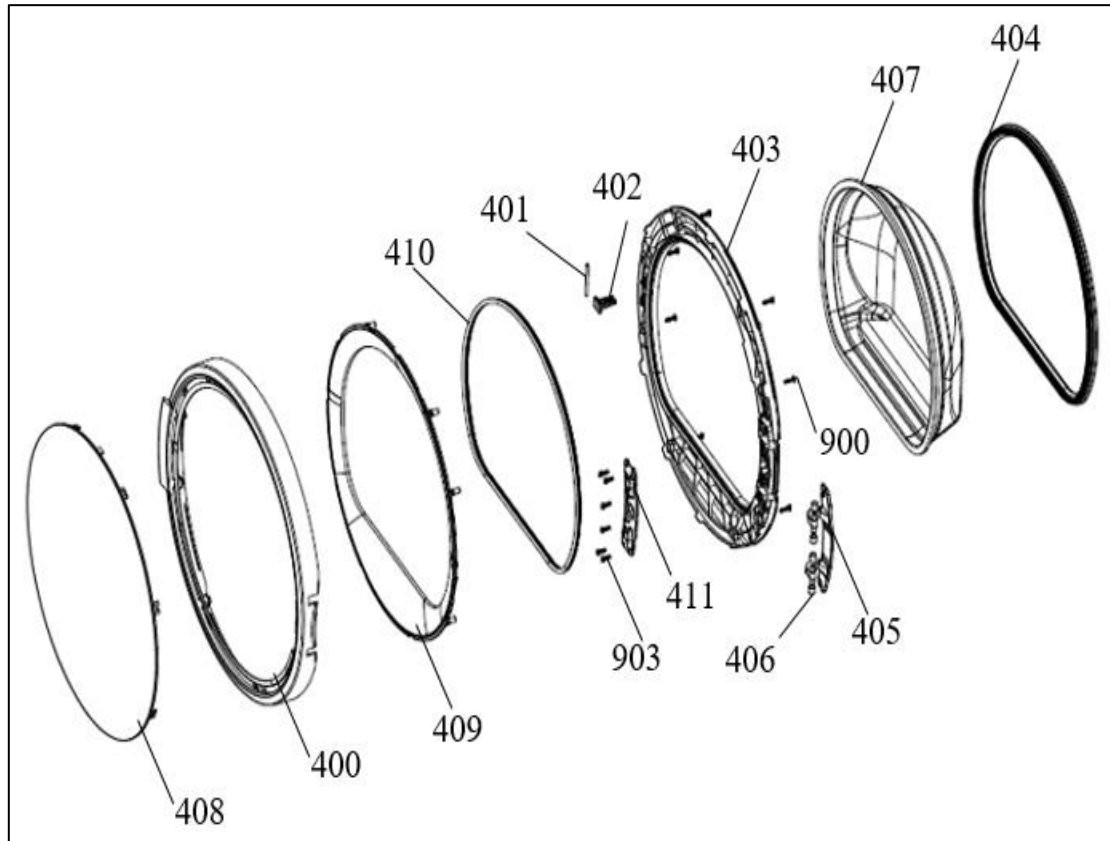
NO	PART NAME	QUANTITY
200	WATER TANK	1
201	TANK DRAIN COVER	1
202	WATER TANK HOUSING	1
203	WATER TANK HOUSING COVER	1
204	WATER TANK HOUSING GR	1
205	WATER TANK GR	1

### 5. FRONT SHIELD PARTS

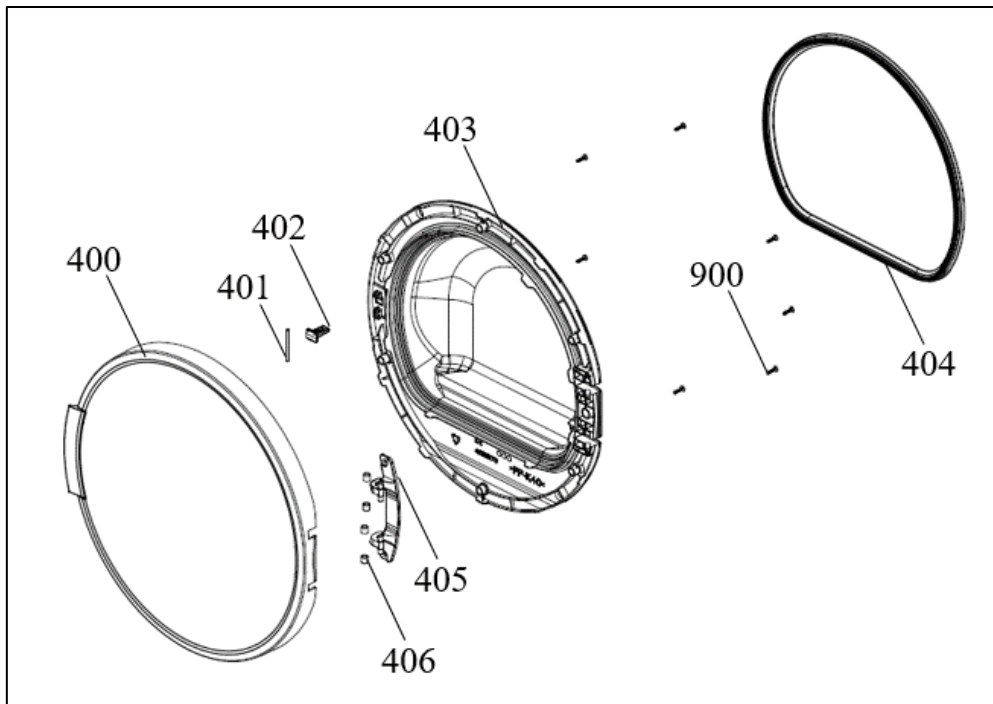


NO	PART NAME	QUANTITY
300	FRONT SHIELD	1
301	FRONT ISOLATION FOAM	1
302	HUMMIDITY SENSOR PLASTIC	1
*304	SENSOR SHEET	2
305	HUMMIDITY SENSOR GROUP (302-303 -304 - 103)	1
306	WHEEL SCREW	2
307	BEARING WHEEL	2
308	BEARING WHEEL BUSHING	2
309	DRUMLIGHT CARD	1
310	DRUMLIGHT CARD BOX	1
311	DRUMLIGHT CARD GASKET	1
312	DRUMLIGHT COVER	1
314	FILTER	1
315	FRONT SHIELD GROUP	1
901	HUMIDITY SENSOR SCREW	5

\*304 can order with group code, pos no: 305

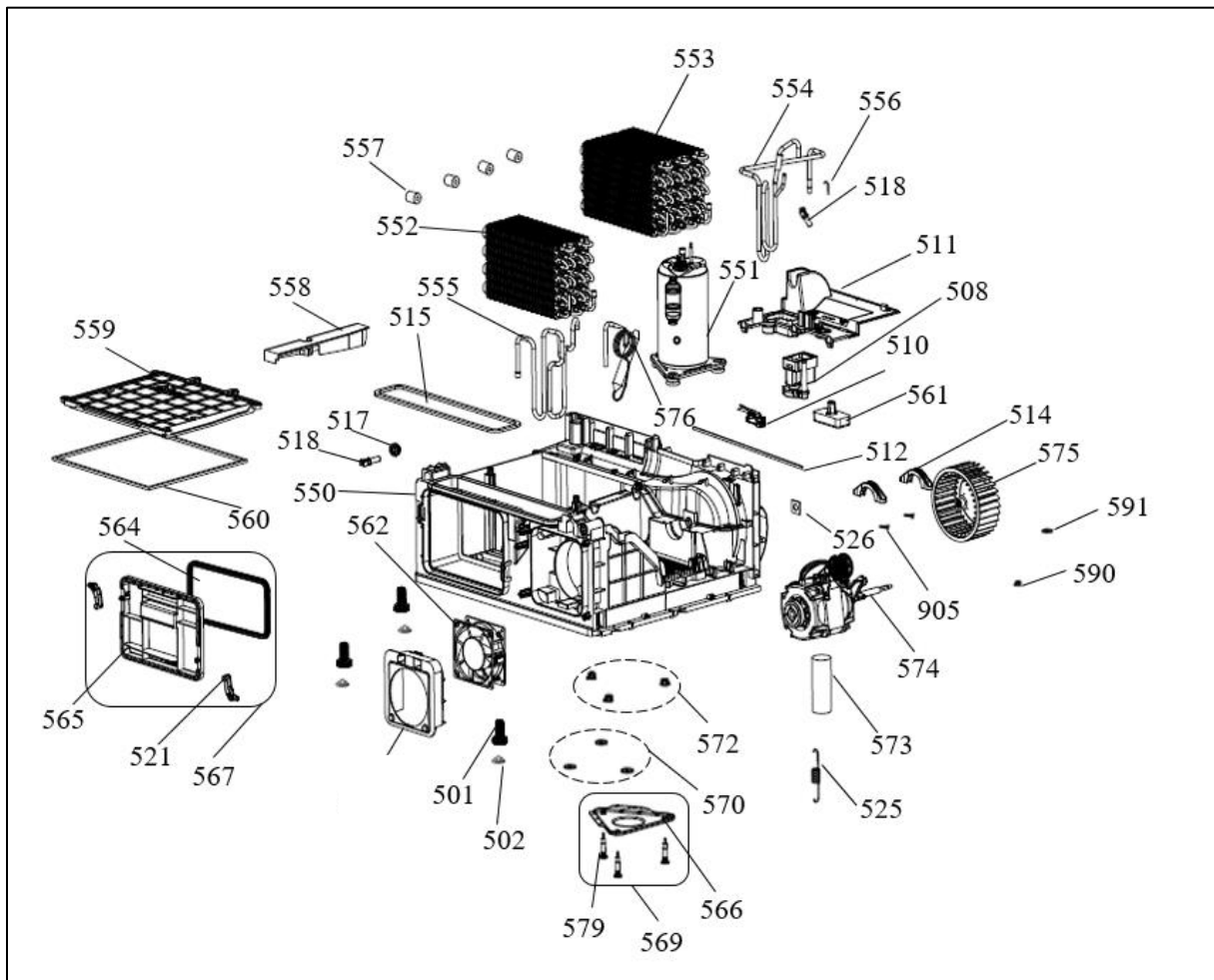
**6. DOOR PARTS****6.1. Glass Door Parts**

NO	PART NAME	QUANTITY
400	DOOR OUTER PLASTIC	1
401	HINGE PIN	1
402	DOOR HOOK	1
403	INNER DOOR PLASTIC	1
404	DOOR GASKET	1
405	DOOR HINGE	1
406	DOOR HINGE BUSHING	4
407	DOOR GLASS	1
408	DOOR FRONT COVER	1
409	OUTER PLASTIC INNER FRAME	1
410	DOOR GLASS ISOLATION GASKET	1
411	DOOR HINGE SHEET METAL	1
412	DOOR GROUP	1
900	3.5 X 16 PLASTIC SCREW	11
903	4 X 12 PLASTIC SCREW	6

**6.2. Plastic Door Parts**

NO	PART NAME	QUANTITY
400	DOOR OUTER PLASTIC	1
401	HINGE PIN	1
402	DOOR HOOK	1
403	INNER DOOR PLASTIC	1
404	DOOR GASKET	1
405	DOOR HINGE	1
406	DOOR HINGE BUSHING	4
412	DOOR GROUP	1
900	3.5 X 16 PLASTIC SCREW	7

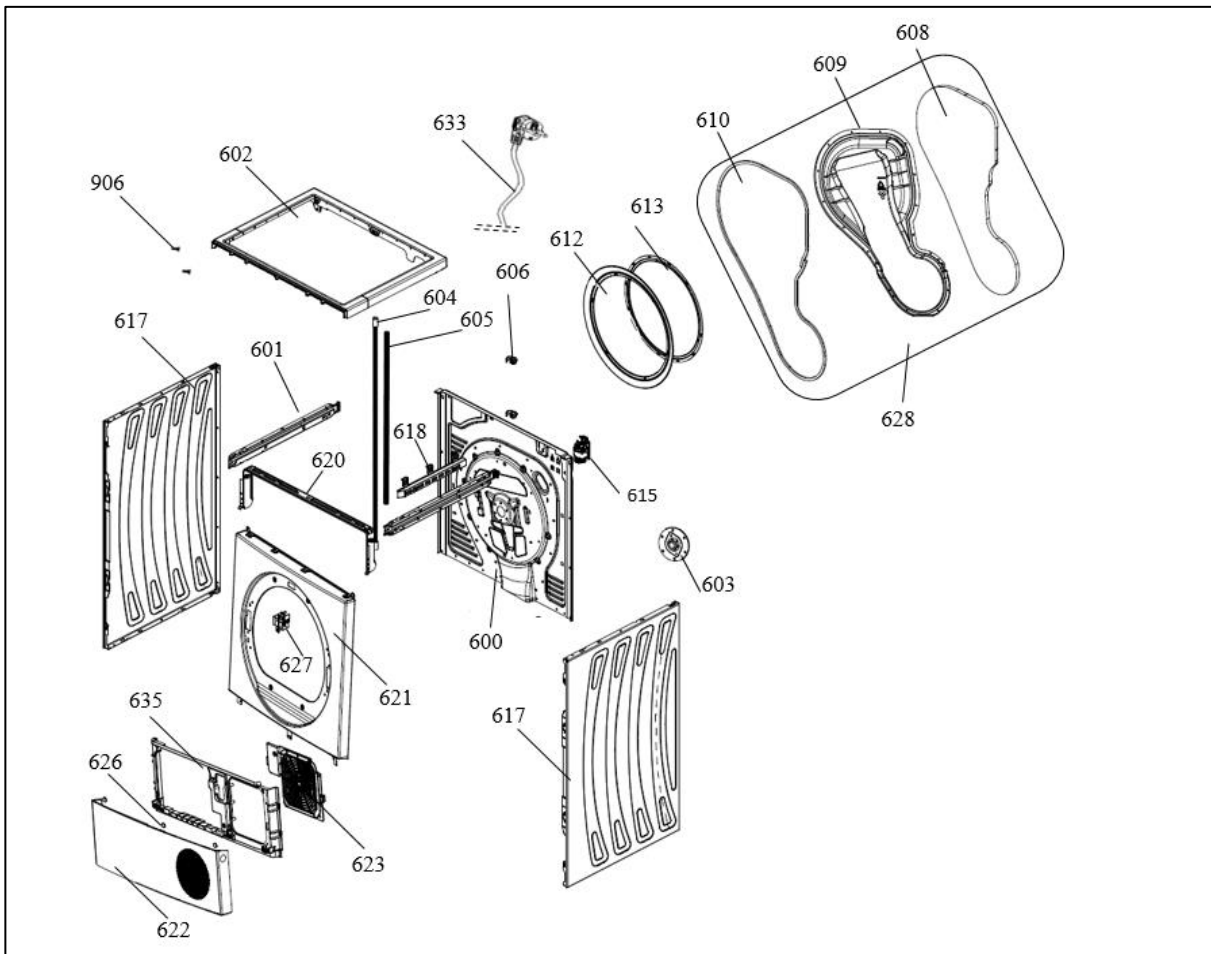
### 7. BASEMENT PLASTIC PARTS



NO	PART NAME	QUANTITY
550	BASEMENT PLASTIC GR HP	1
551	COMPRESSOR	1
552	EVAPORATOR	1
553	CONDENSER	1
554	COMPRESSOR-CONDENSER CU PIPE	1
555	COMPRESSOR-EVAPORATOR CU PIPE	1
556	NTC FIXING WIRE	1
557	HEAT EXCHANGER PIPE FOAM	4
558	WATER CHANNEL COVER	1
559	EXCHANGER TOP COVER	1
560	EXCHANGER TOP COVER FOAM	1
561	HEAT PUMP FLOAT (EPS)	1
562	COMP. COOLING FAN	1
563	COOLING FAN FIXING PLASTIC	1

564	EXCHANGER DRAWER COVER GASKET	1
565	EXCHANGER DRAWER COVER	1
521	EXCHANGER DRAWER COVER LOCK	2
567	EXCHANGER DRAWER COVER GR	1
566	COMPRESSOR BRACKET	3
579	COMPRESSOR BRACKET STUD	3
569	COMPRESSOR BRACKET GR	1
570	COMPRESSOR BRACKET WASHER	3
572	COMPRESSOR BRACKET NUT	3
573	CAPACITOR 20 $\mu$ F	1
574	MOTOR	1
575	HP PROCESS AIR FAN	1
590	PROCESS AIR FAN NUT	1
591	PROCESS AIR FAN WASHER	1
576	DRYER	1
501	ADJUSTABLE STANDING PLASTIC	4
502	ADJUSTABLE STANDING RUBBER	4
508	PUMP	1
510	AQUA SWITCH	1
511	PUMP HOUSING	1
512	REAR PANEL ISOLATION FOAM	1
514	MOTOR FIXING PLASTIC	2
905	MOTOR FIXING SCREW, P,TSB,5X20	4
515	AIR CHANNEL SEAL	1
517	NTC RUBBER	1
518	NTC	2
525	MOTOR SPRING	1
526	MOTOR ISOLATION FELT	1

### 8. BODY PARTS

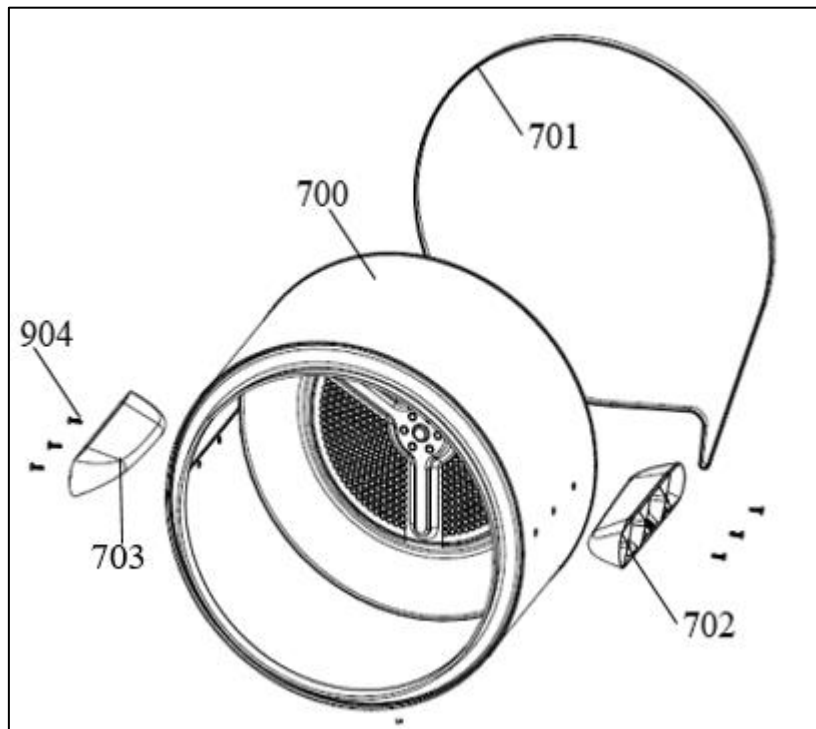


NO	PART NAME	QUANTITY
600	REAR PANEL	1
601	SIDE BRACKET	2
602	UPPER TRAY	1
906	UPPER TRAY SCREW, S,TTB,4.8x9.5,C,ST,A3B	2
603	REAR BEARING GR	1
604	WATER TANK HOSE	1
605	WATER TANK RETURN HOSE	1
606	HOSE HOLDER PLASTIC	2
608	REAR COVER OUTER ISOLATION	1
609	REAR COVER PLASTIC	1
610	REAR COVER INNER SEAL	1
612	REAR ISOLATION (SEAL&FELT)	1
613	REAR ISOLATION SHEET	1
615	EMI FILTER	1
617	SIDE PANEL	2

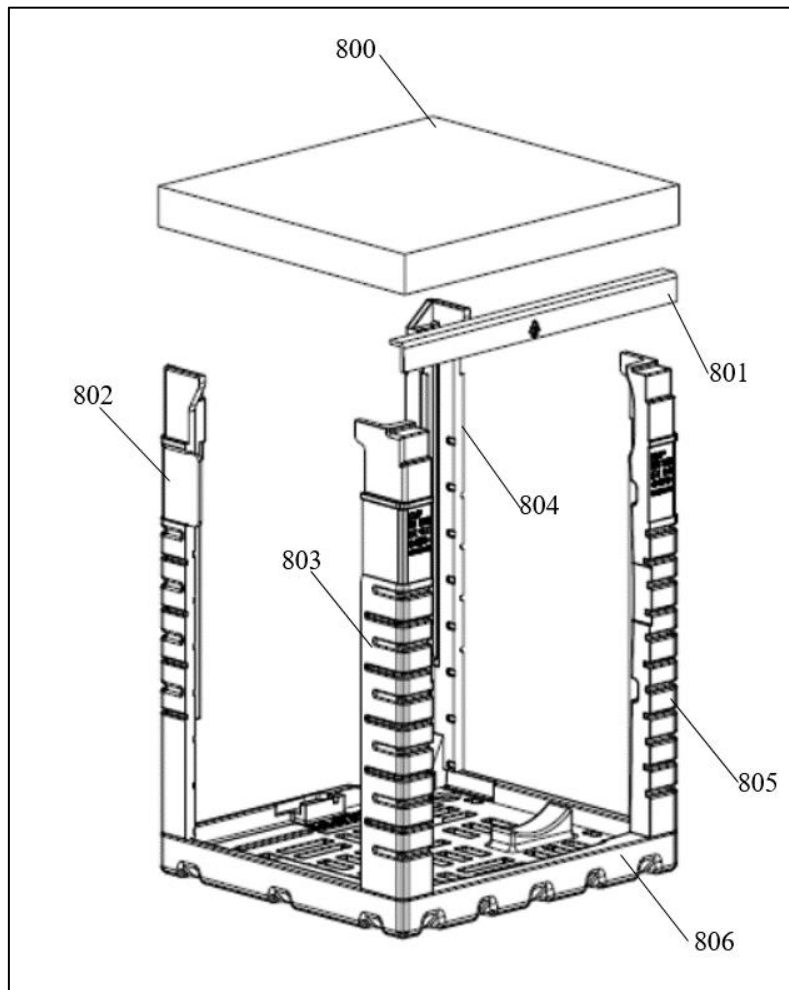
**VESTEL****HP INV. T3 JULIA (T30)****EXPLODED VIEW****CUSTOMER****SUPPORT**

618	CABLE HOLDER PLASTIC	1
620	TOP BRACKET	1
621	FRONT PANEL	1
622	PLINTH	1
623	PLINTH FAN COVER	1
635	PLINTH INNER BODY	1
626	PLINTH MAGNET	1
627	DOOR LATCH	1
628	REAR COVER GR (608-609-610)	1
629	REAR PANEL GR (600-614-603-615-606)	1
630	FRONT PANEL GR (621-627)	1
633	SUPPLY CORD	1

\*609 can order with group code, pos no: 628

**9. DRUM PARTS**

NO	PART NAME	QUANTITY
700	DRUM GR (700-702-703-904)	1
701	BELT	1
702	PLASTIC LIFTER 1	1
703	PLASTIC LIFTER 2	1
904	5 X 20 PLASTIC SCREW	6

**10. PACKING GROUP PARTS**

NO	PART NAME	QUANTITY
800	TOP CARTON	1
801	CORNER HARDBOARD	1
802	REAR LEFT STYROFOAM	1
803	FRONT LEFT STYROFOAM	1
804	REAR RIGHT STYROFOAM	1
805	FRONT RIGHT STYROFOAM	1
806	BOTTOM STYROFOAM	1