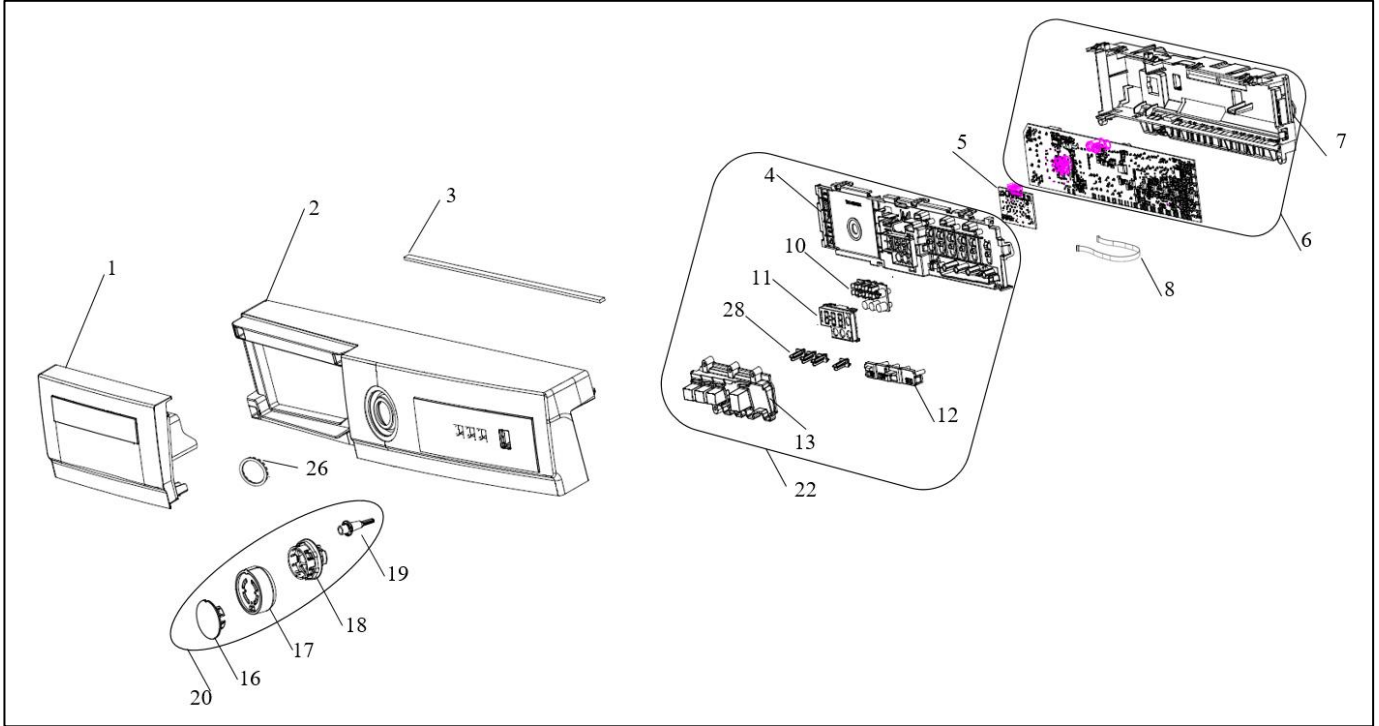
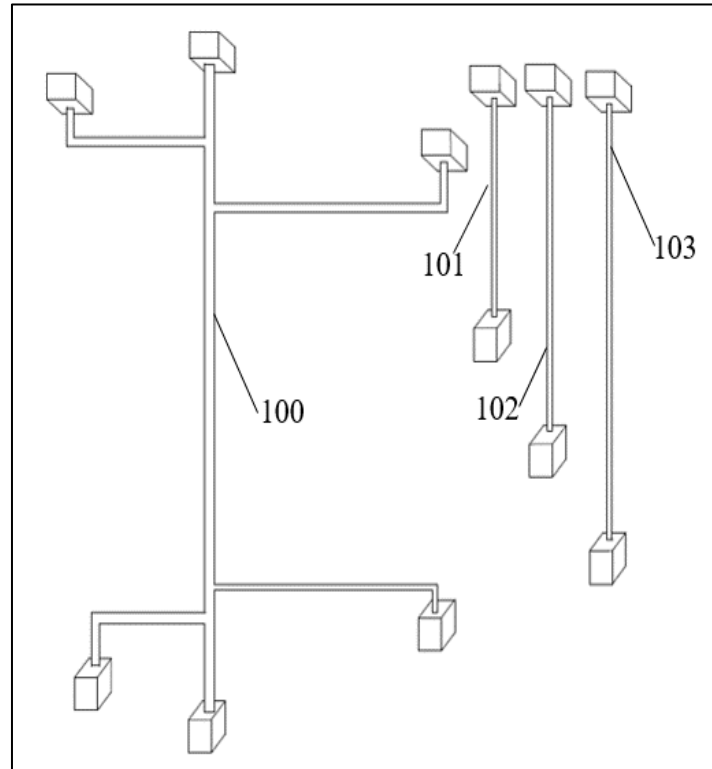
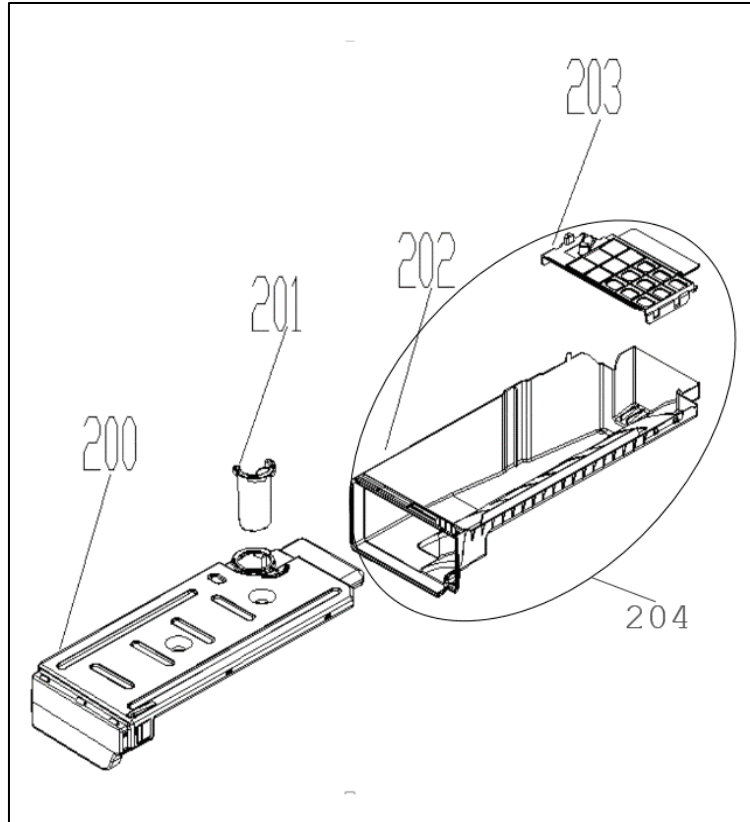


1. CONTROL PANEL PARTS

NO	PART NAME	QUANTITY
1	WATER TANK DRAWER COVER	1
2	CONTROL PANEL	1
3	CONTROL PANEL ISOLATION	1
4	PCB BOX COVER	1
6	PCB BOARD GR	1
7	PCB BOX	1
8	F4 TOUCH CABLE	1
16	PROGRAM SELECTION KNOB COVER	1
17	PROGRAM SELECTION KNOB BODY	1
18	PROGRAM SELECTION KNOB INS. PART	1
19	PROGRAM SELECTION SHAFT	1
20	PROGRAM SELECTION KNOB	1
21	F4 TOUCH CARD GR.	1
23	CONTROL PANEL GR (1-2-3-20-30-28)	1
26	JD LIGHT GUIDE	1
28	SELECTION BUTTONS SHAFTS	1

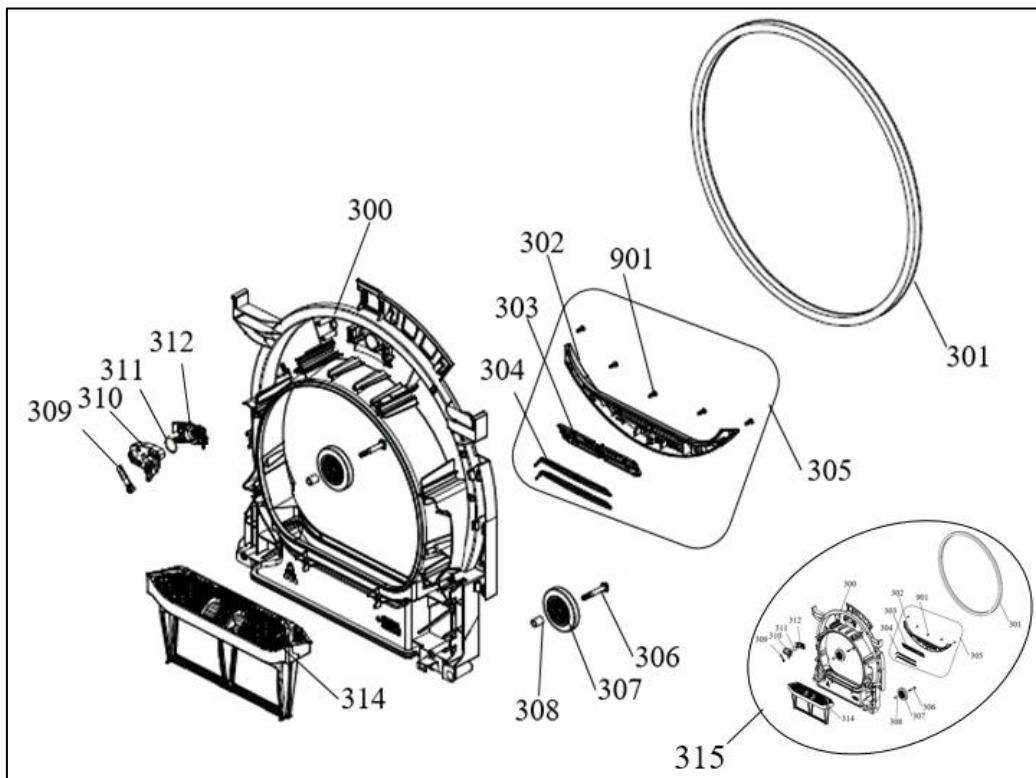
2. CABLE GROUP PARTS

NO	PART NAME	QUANTITY
100	CABLE TREE	1
101	DRUMLIGHT CABLE	1
102	DOOR LATCH CABLE	1
103	HUMMIDITY SENSOR CABLE	1
104	CABLE GR (100-618)	1

3. WATER TANK PARTS

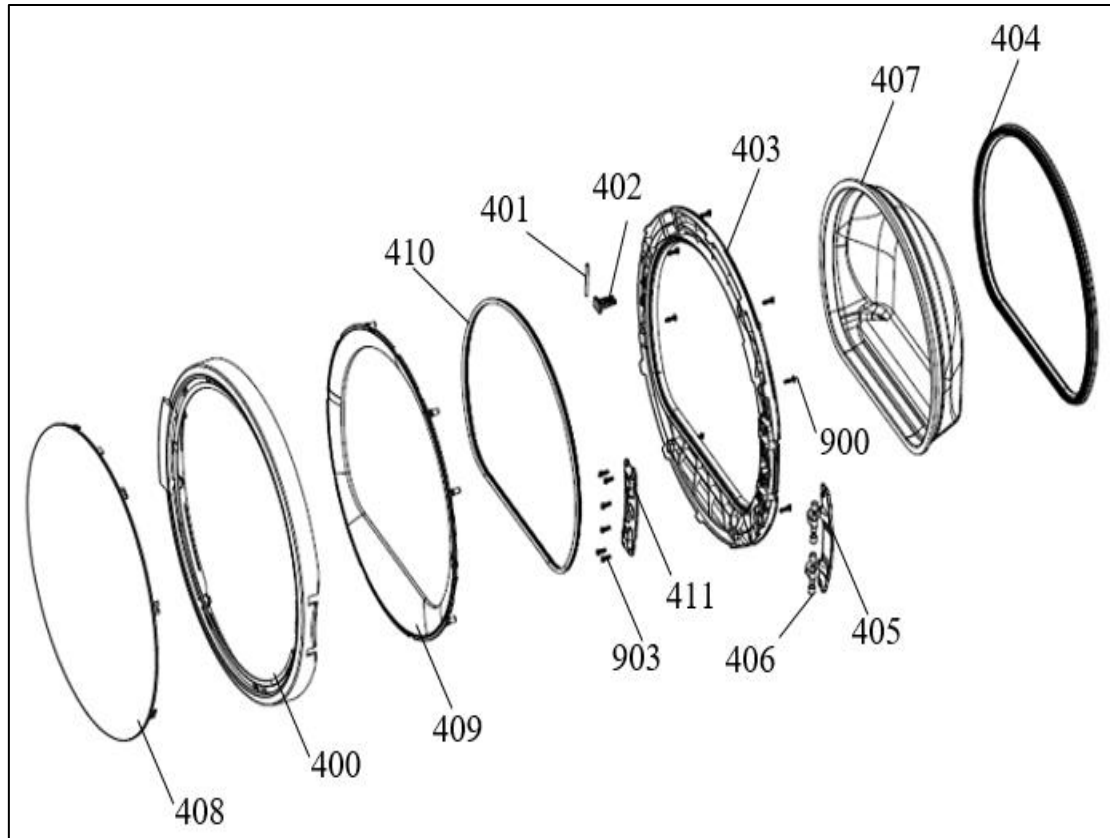
NO	PART NAME	QUANTITY
200	WATER TANK	1
201	TANK DRAIN COVER	1
202	WATER TANK HOUSING	1
203	WATER TANK HOUSING COVER	1
204	WATER TANK HOUSING GR	1

4. FRONT SHIELD PARTS

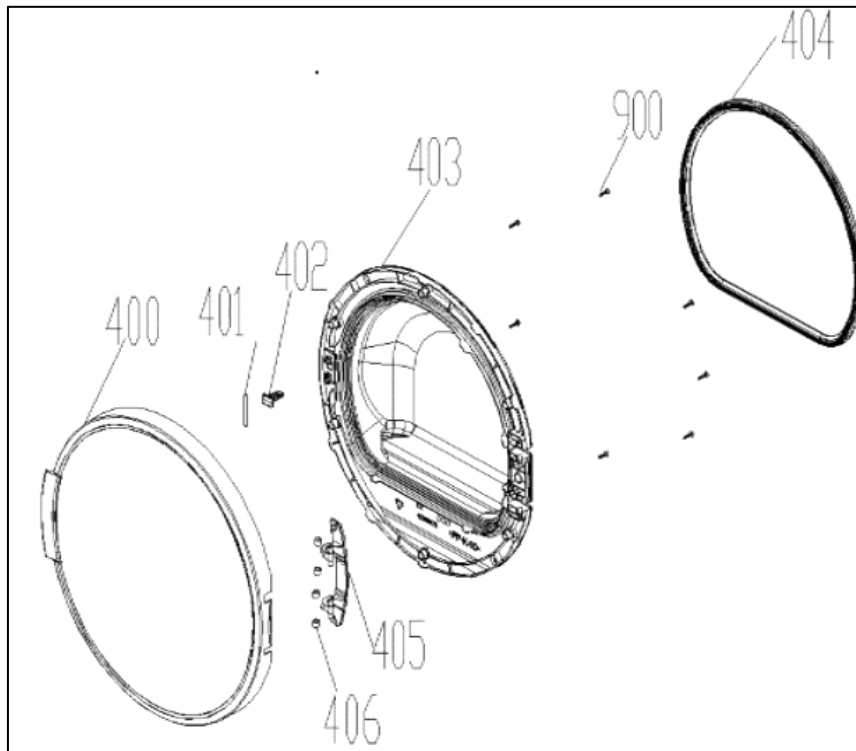


NO	PART NAME	QUANTITY
300	FRONT SHIELD	1
301	FRONT ISOLATION FOAM	1
302	HUMMIDITY SENSOR PLASTIC	1
*303	SENSOR HOLDER	1
*304	SENSOR SHEET	2
305	HUMMIDITY SENSOR GROUP (302-303 -304 - 103)	1
306	WHEEL SCREW	2
307	BEARING WHEEL	2
308	BEARING WHEEL BUSHING	2
309	DRUMLIGHT CARD	1
310	DRUMLIGHT CARD BOX	1
311	DRUMLIGHT CARD GASKET	1
312	DRUMLIGHT COVER	1
314	FILTER	1
315	FRONT SHIELD GROUP	1
901	HUMIDITY SENSOR SCREW	5

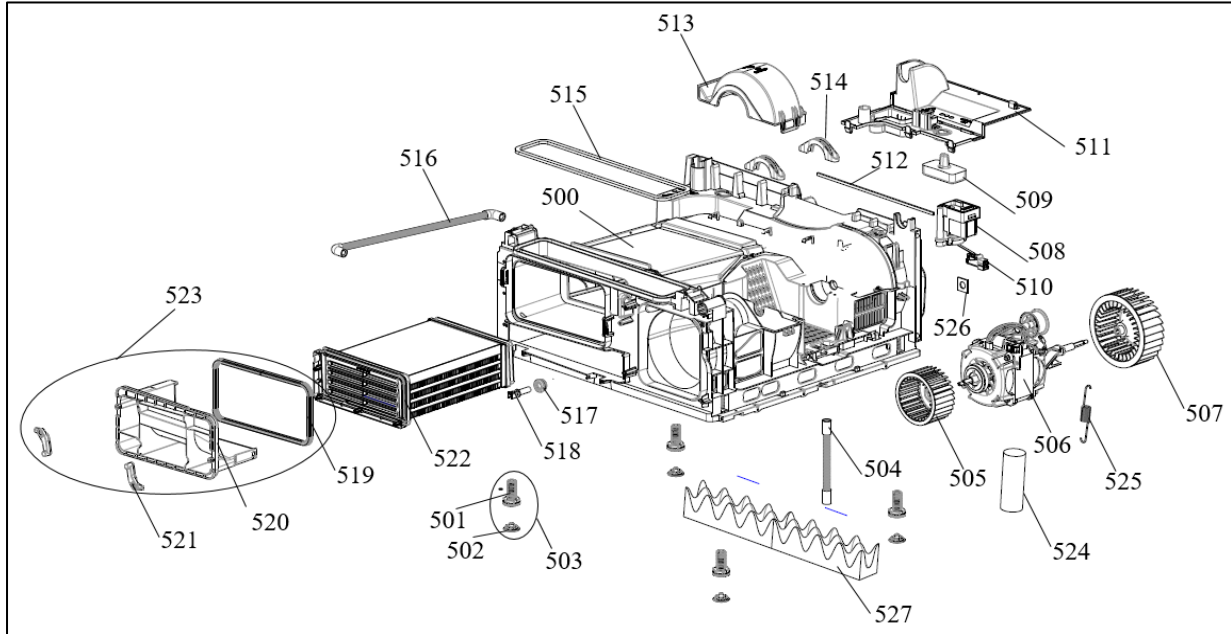
*303,304 can order with group code, pos no: 305

5. DOOR PARTS**5.1. Glass Door Parts**

NO	PART NAME	QUANTITY
400	DOOR OUTER PLASTIC	1
401	HINGE PIN	1
402	DOOR HOOK	1
403	INNER DOOR PLASTIC	1
404	DOOR GASKET	1
405	DOOR HINGE	1
406	DOOR HINGE BUSHING	4
407	DOOR GLASS	1
408	DOOR FRONT COVER	1
409	OUTER PLASTIC INNER FRAME	1
410	DOOR GLASS ISOLATION GASKET	1
411	DOOR HINGE SHEET METAL	1
412	DOOR GROUP	1
900	3.5 X 16 PLASTIC SCREW	11
903	4 X 12 PLASTIC SCREW	6

5.2. Plastic Door Parts

NO	PART NAME	QUANTITY
400	DOOR OUTER PLASTIC	1
401	HINGE PIN	1
402	DOOR HOOK	1
403	INNER DOOR PLASTIC	1
404	DOOR GASKET	1
405	DOOR HINGE	1
406	DOOR HINGE BUSHING	4
900	3.5 X 16 PLASTIC SCREW	7

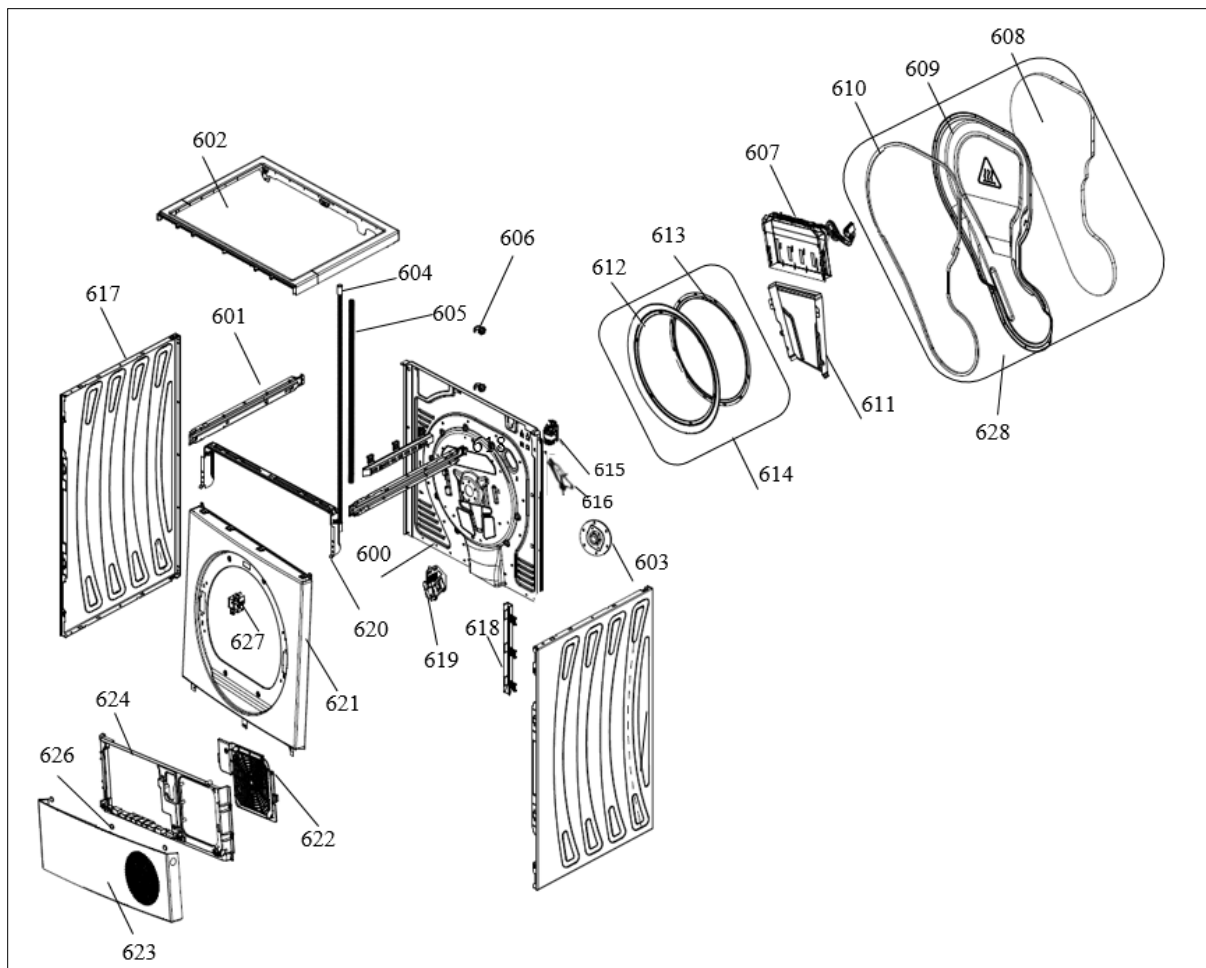
6. BASEMENT PLASTIC PARTS

NO	PART NAME	QUANTITY
500	BASEMENT PLASTIC PART	1
501	ADJUSTABLE STANDING PLASTIC	4
502	ADJUSTABLE STANDING RUBBER	4
503	ADJUSTABLE STANDING GROUP	4
504	RETURN HOSE	1
505	COOLING FAN	1
506	MOTOR	1
507	PROCESS FAN	1
508	PUMP	1
509	FLOAT	1
510	AQUA SWITCH	1
511	PUMP HOUSING	1
512	REAR PANEL ISOLATION FOAM	1
513	COOLING FAN COVER	1
514	MOTOR FIXING PLASTIC	1
515	AIR CHANNEL SEAL	1
516	SIDE HOSE	1
517	NTC RUBBER	1
518	NTC	1
519	CONDENSER DRAWER COVER GASKET	1
520	CONDENSER DRAWER COVER	1
521	CONDENSER DRAWER COVER LOCK PLASTIC	2

VESTEL	CONDENSER T1 JULIA (T30)	CUSTOMER SUPPORT
	EXPLODED VIEW	

522	CONDENSER BOX	1
523	CONDENSER DRAWER COVER GR	1
524	CAPACITOR (11uF)	1
525	MOTOR SPRING	1
526	MOTOR ISOLATION FELT	1
527	SOUND ISOLATION FOAM	1
528	BASEMENT PLASTIC GR (500-503)	1

7. BODY PARTS

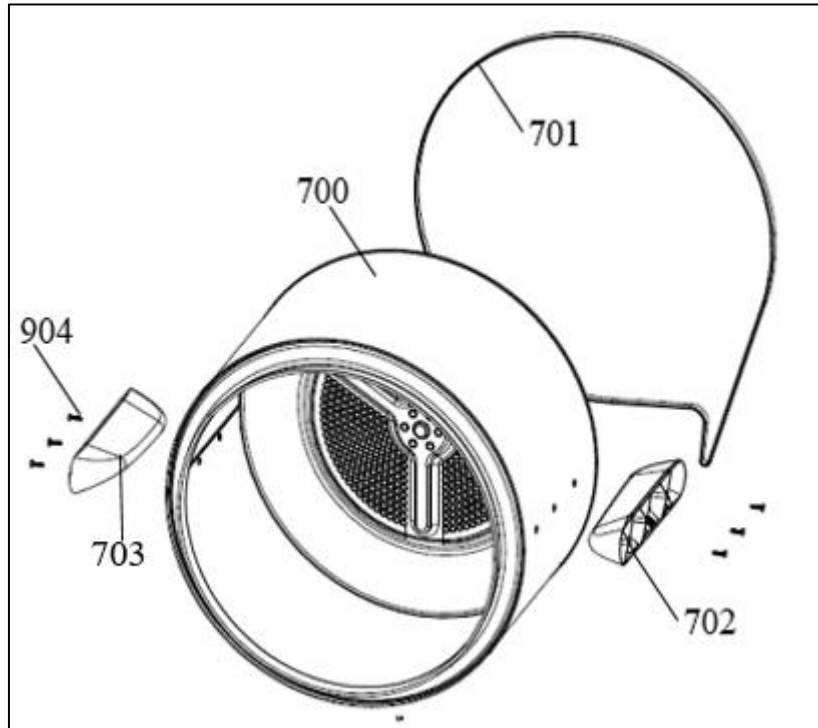


NO	PART NAME	QUANTITY
600	REAR PANEL	1
601	SIDE BRACKET	2
602	UPPER TRAY	1
603	REAR BEARING GR	1
604	WATER TANK HOSE	1
605	WATER TANK RETURN HOSE	1
606	HOSE HOLDER PLASTIC	2
607	HEATER	1
608	REAR COVER OUTER ISOLATION	1
609*	REAR COVER PLASTIC	1
610	REAR COVER INNER SEAL	1
611	AIR GUIDE BRACKET	1
612	REAR ISOLATION (SEAL&FELT)	1
613	REAR ISOLATION SHEET	1
614	REAR ISOLATION GROUP	1

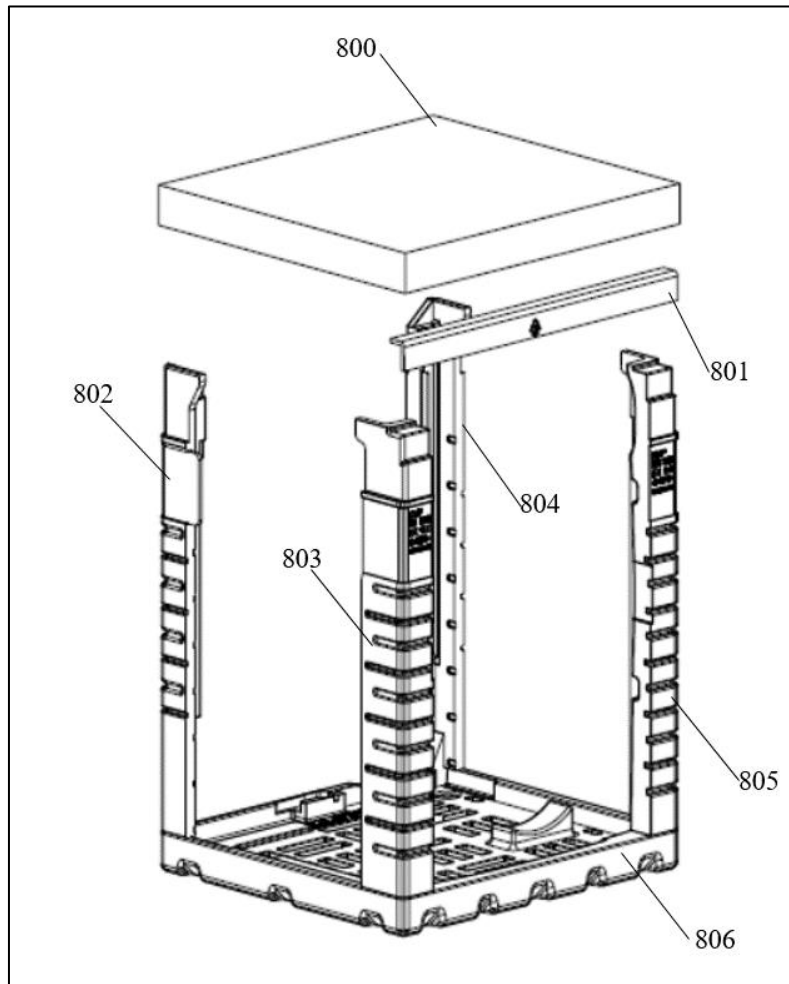
VESTEL	CONDENSER T1 JULIA (T30)	CUSTOMER SUPPORT
	EXPLODED VIEW	

615	EMI FILTER	1
617	SIDE PANEL	2
618	CABLE HOLDER PLASTIC	1
620	TOP BRACKET	1
621	FRONT PANEL	1
622	PLINTH FAN COVER	1
624	PLINTH INNER BODY	1
623	PLINTH	1
626	PLINTH MAGNET	1
627	DOOR LATCH	1
628	REAR COVER GR (608-609-610)	1
629	REAR PANEL GR (600-614-603-615-606)	1
630	FRONT PANEL GR (621-627)	1

*609 can order with group code, pos no: 628

8. DRUM PARTS

NO	PART NAME	QUANTITY
700	DRUM GR (700-702-703-904)	1
701	BELT	1
702	PLASTIC LIFTER 1	1
703	PLASTIC LIFTER 2	1
904	5 X 20 PLASTIC SCREW	6

9. PACKING GROUP PARTS

NO	PART NAME	QUANTITY
800	TOP CARTON	1
801	CORNER HARDBOARD	1
802	REAR LEFT STYROFOAM	1
803	FRONT LEFT STYROFOAM	1
804	REAR RIGHT STYROFOAM	1
805	FRONT RIGHT STYROFOAM	1
806	BOTTOM STYROFOAM	1
807	PACKAGING GR	1