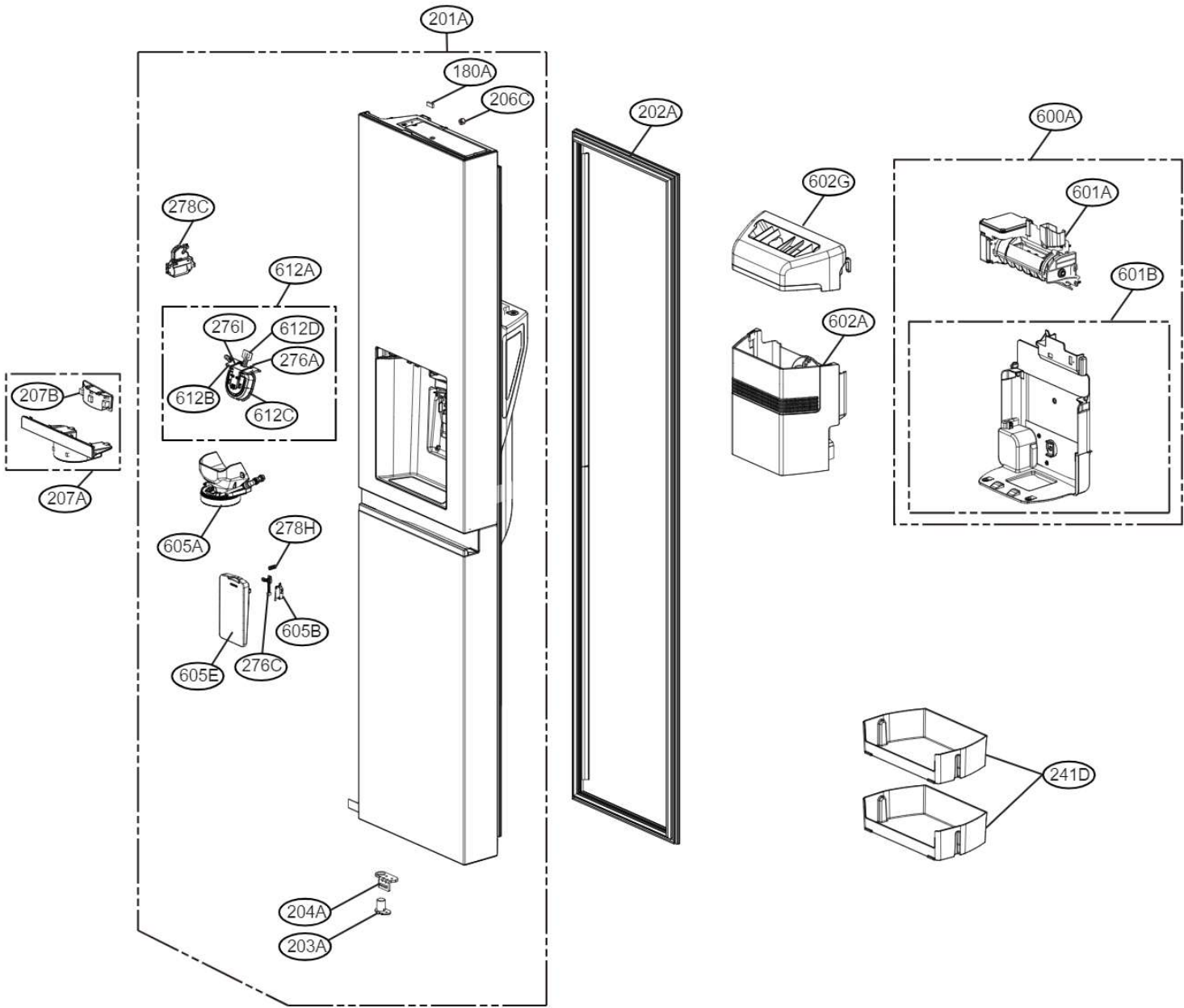


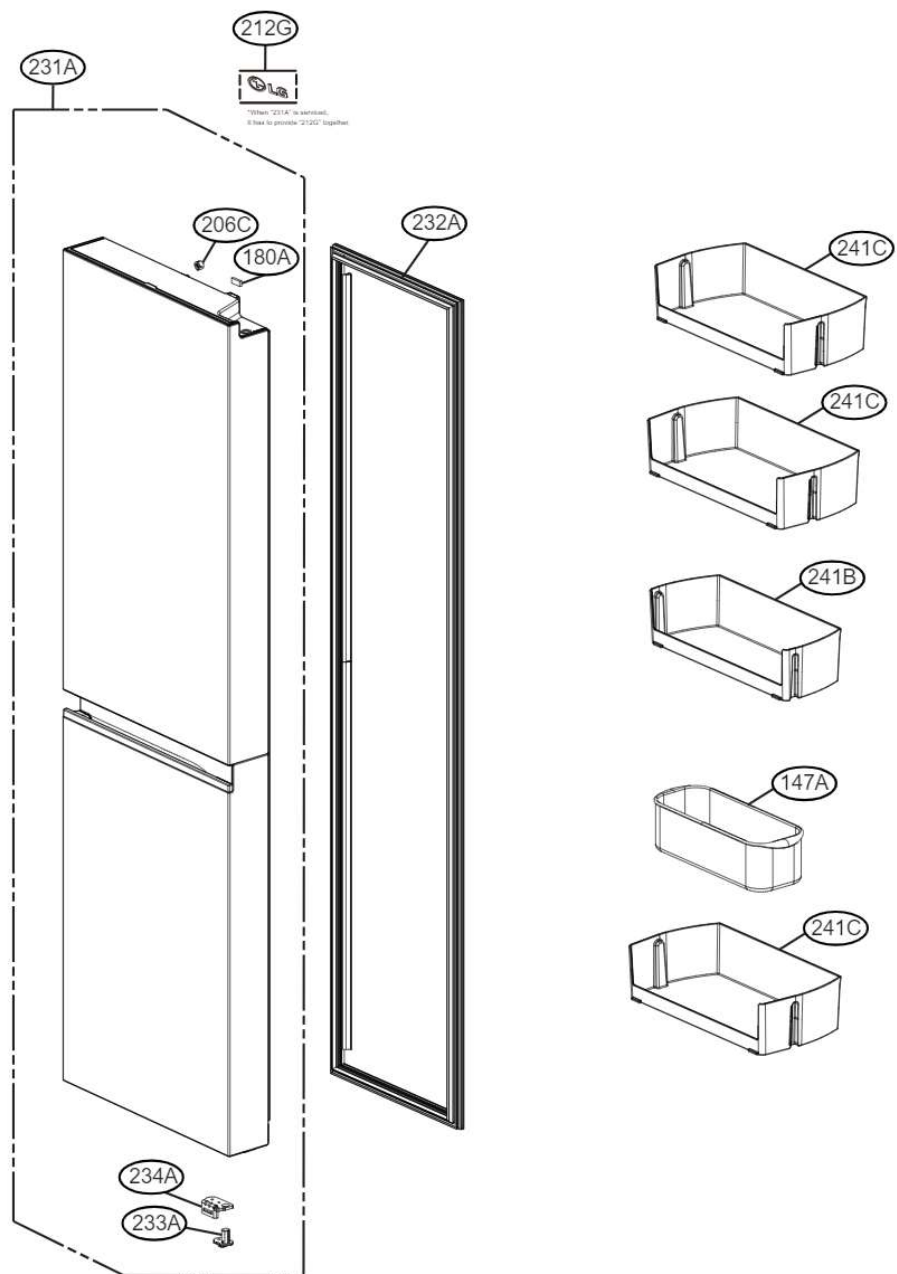
EXPLODED VIEW

FREEZER DOOR PART



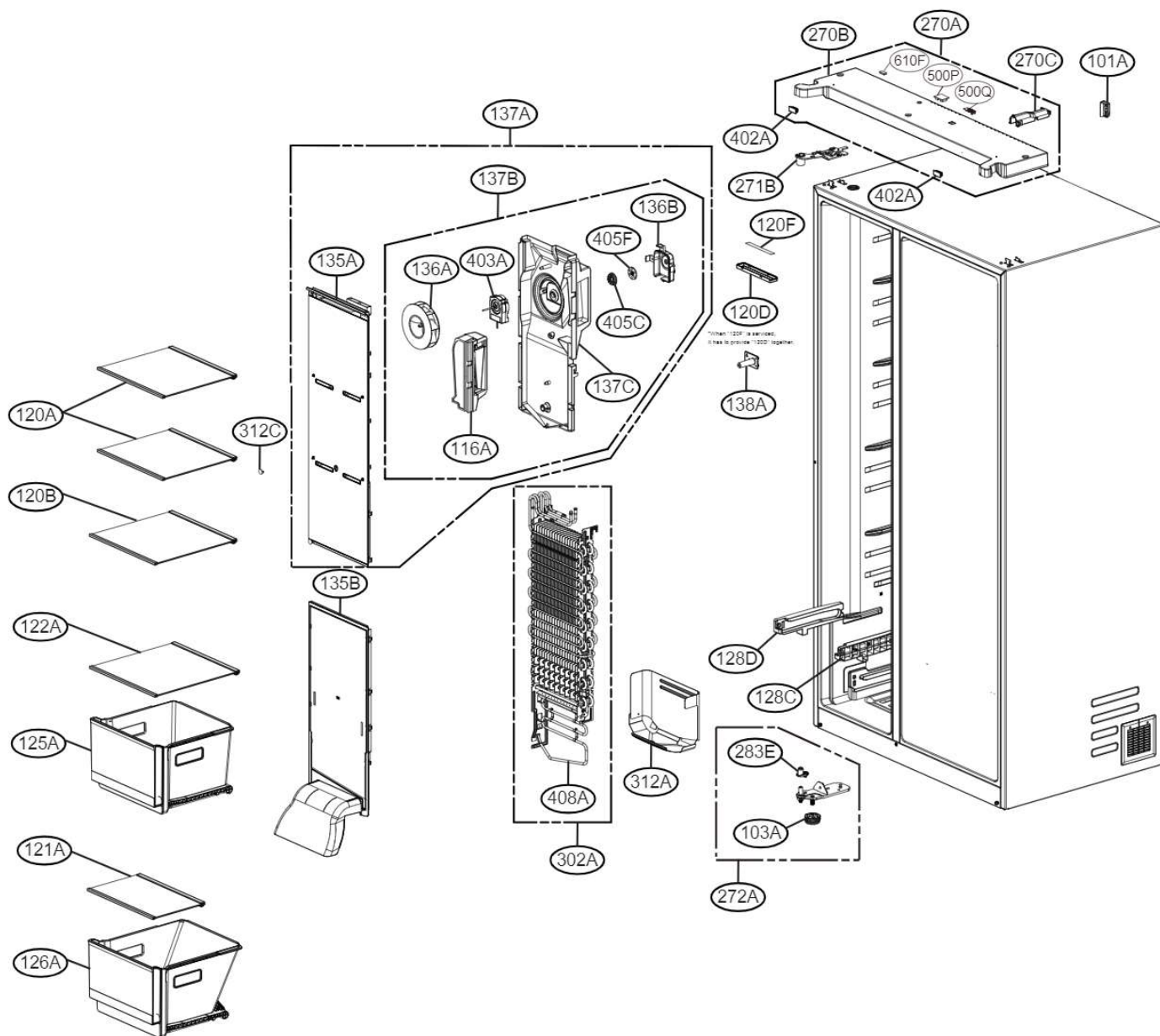
EXPLODED VIEW

REFRIGERATOR DOOR



EXPLODED VIEW

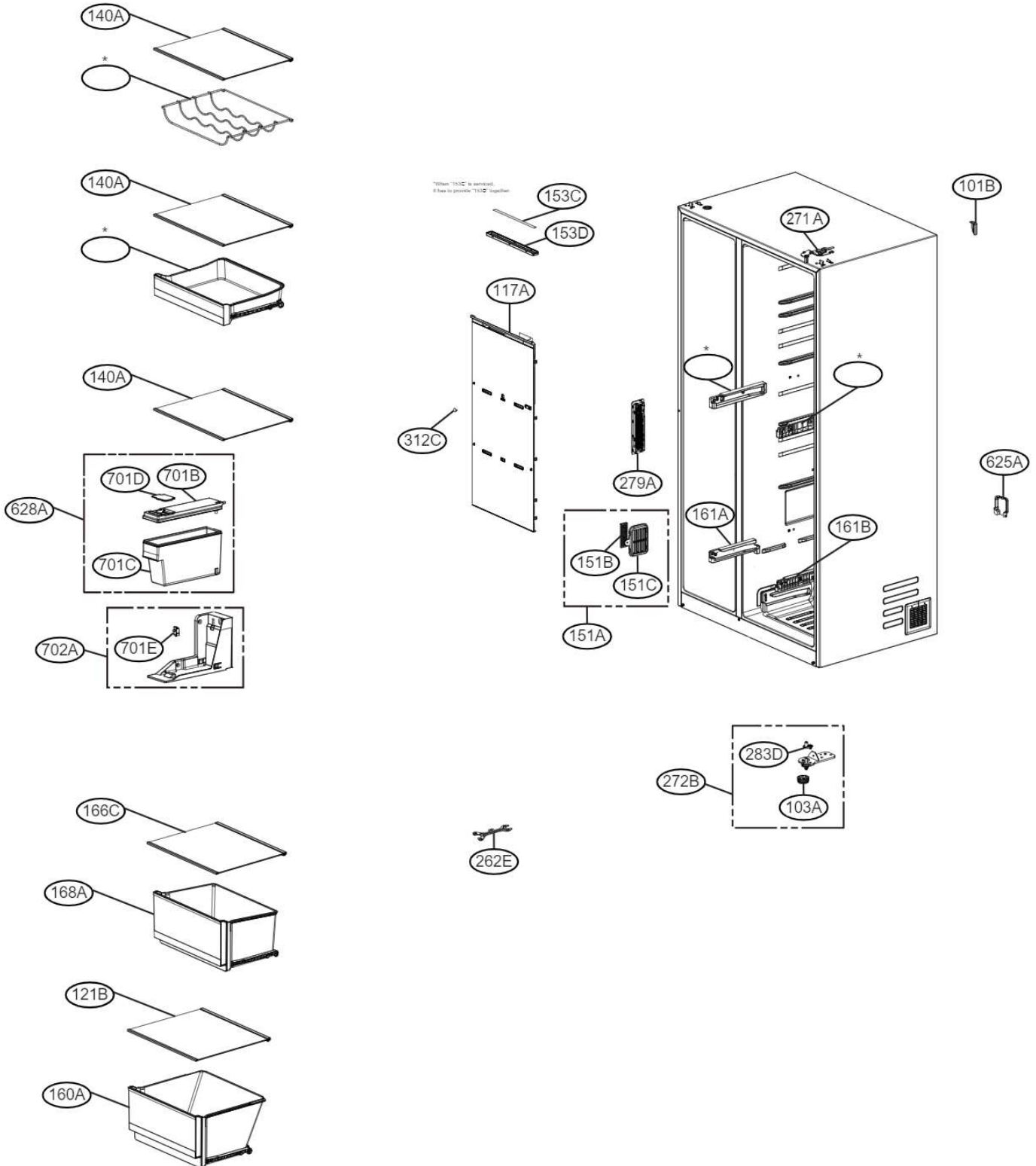
FREEZER COMPARTMENT



EXPLODED VIEW

REFRIGERATOR COMPARTMENT

*:Optional parts



EXPLODED VIEW

MACHINE COMPARTMENT

