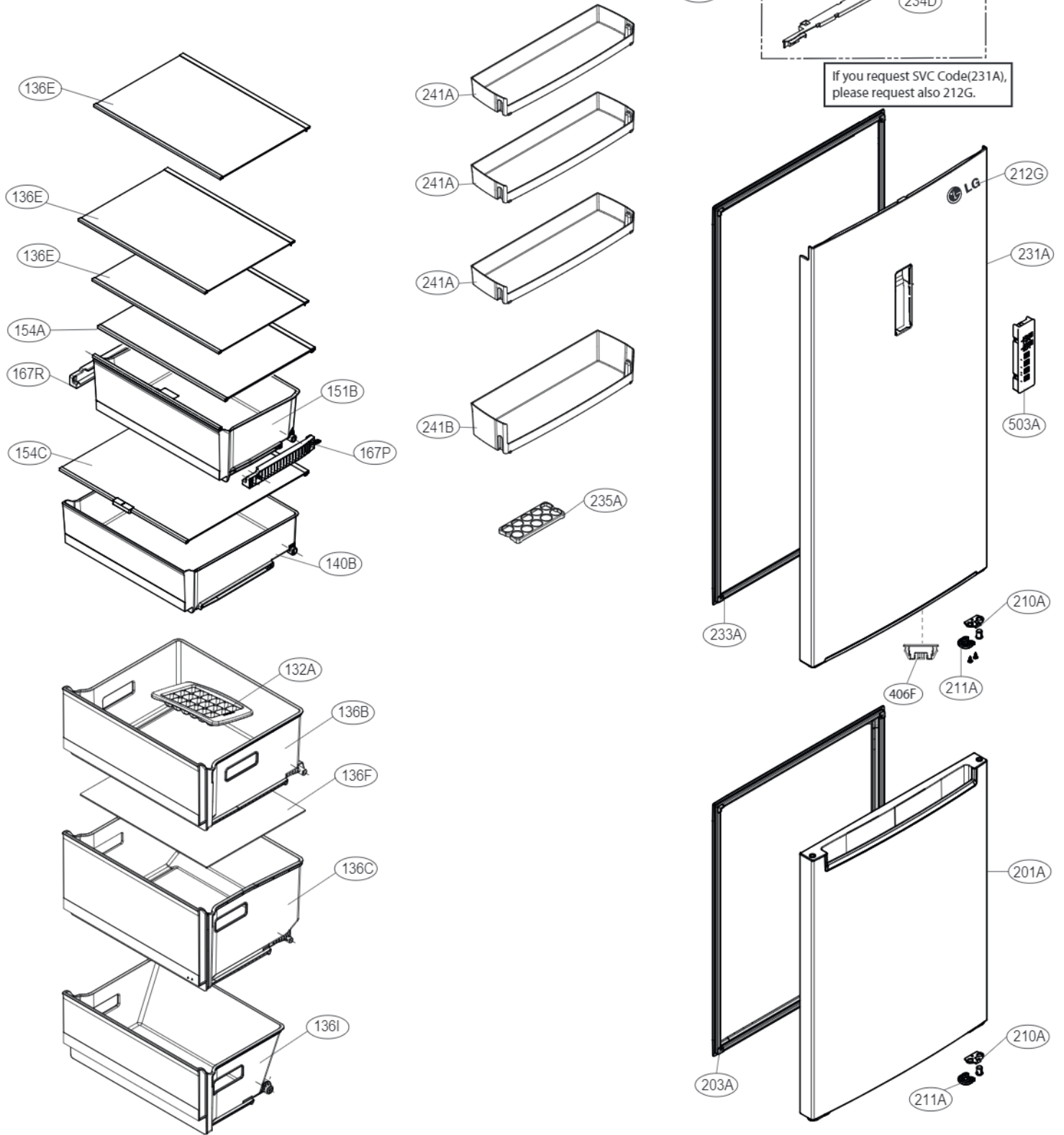




# EXPLODED VIEW

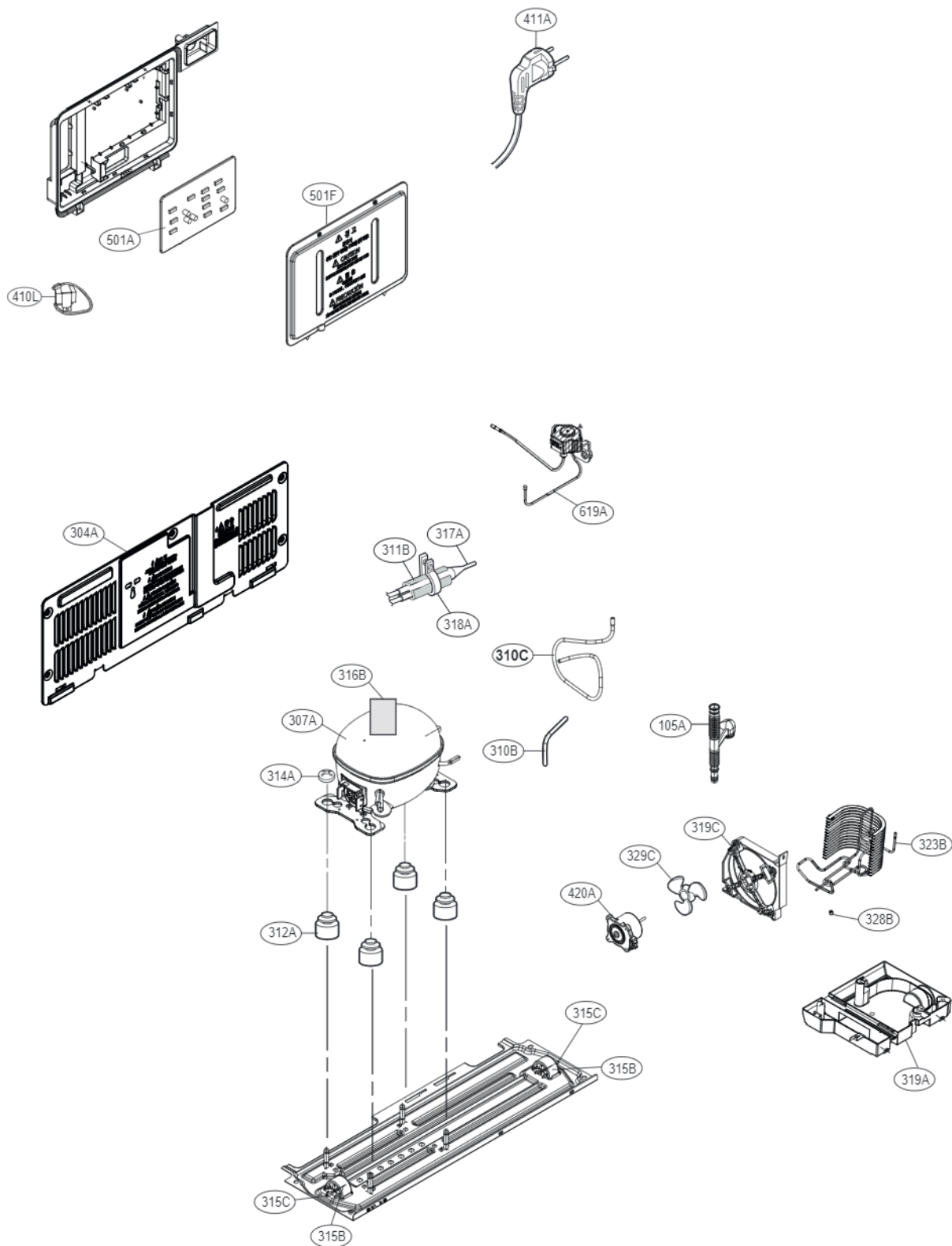
Ref. No : GBP62\*\*XCC1



► The parts of refrigerator and the shape of each part are subject to change in different localities.

# EXPLODED VIEW

Ref. No: GBP62\*\*XCC1



☒ The parts of refrigerator and the shape of each part are subject to change in different localities.