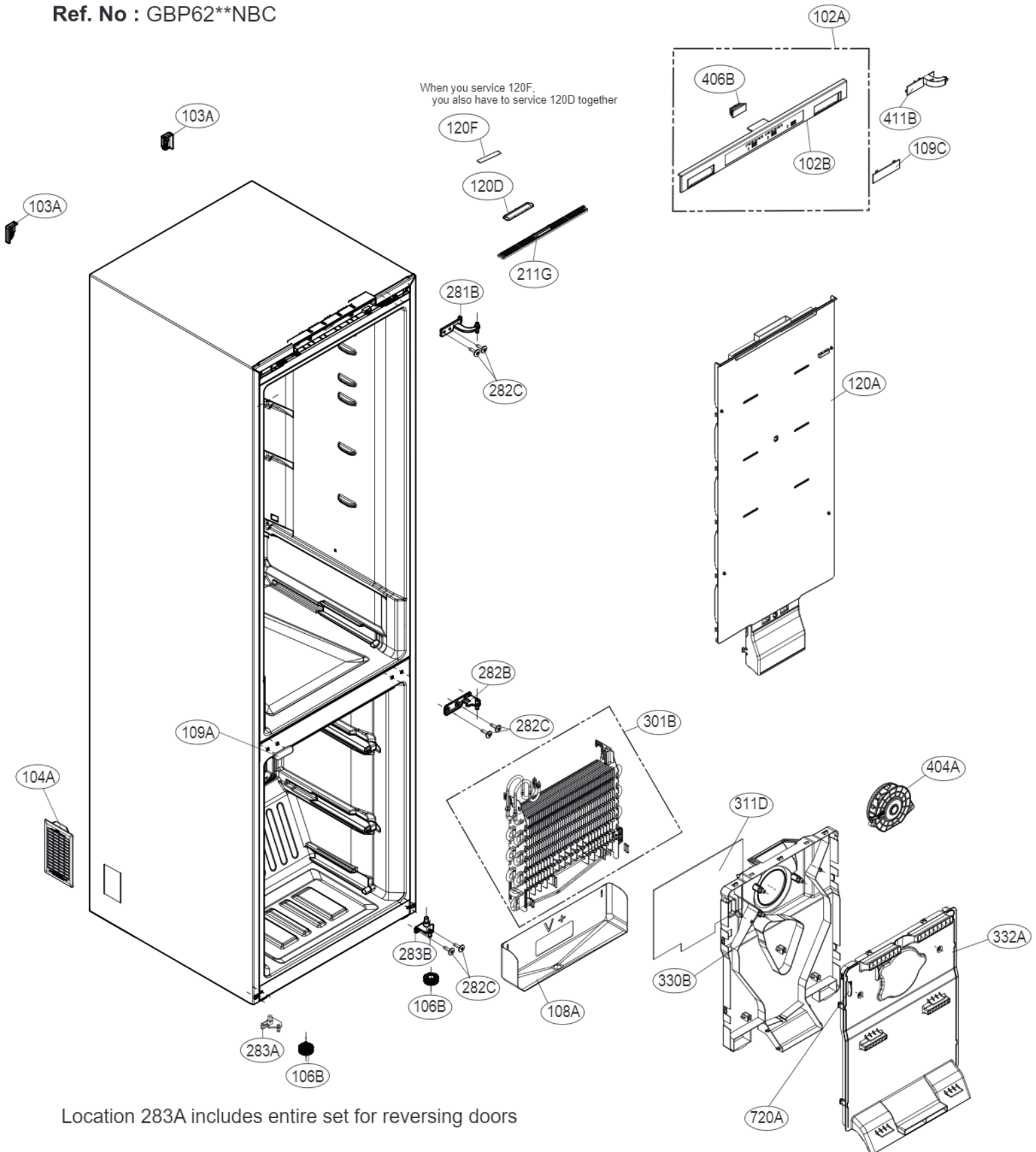


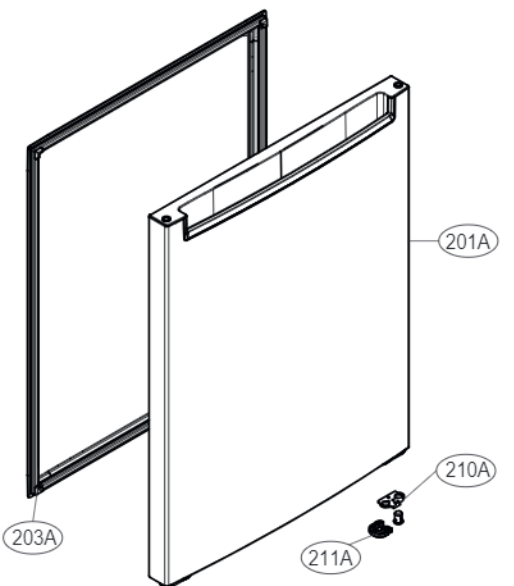
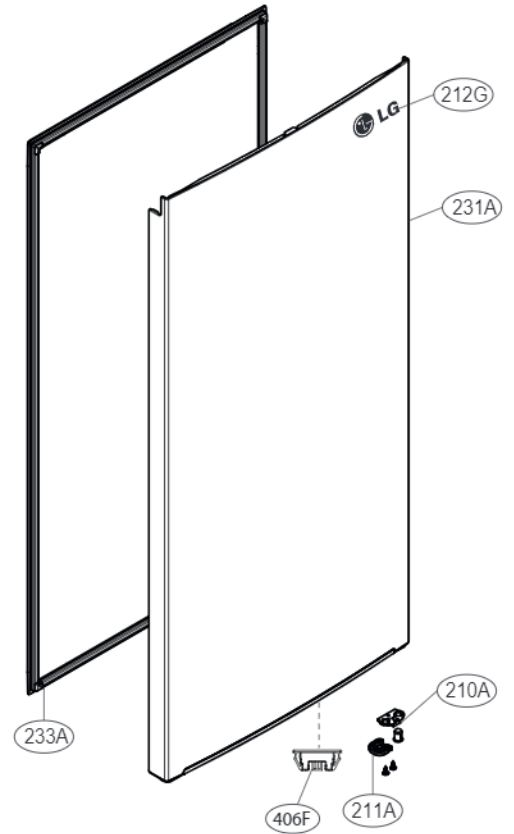
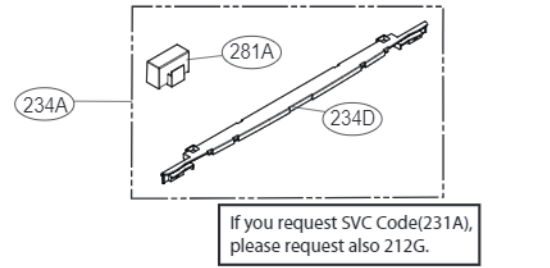
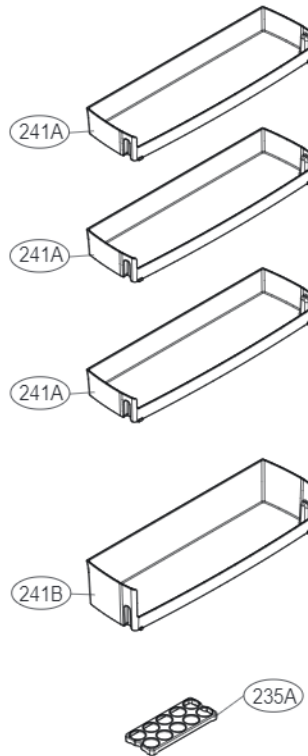
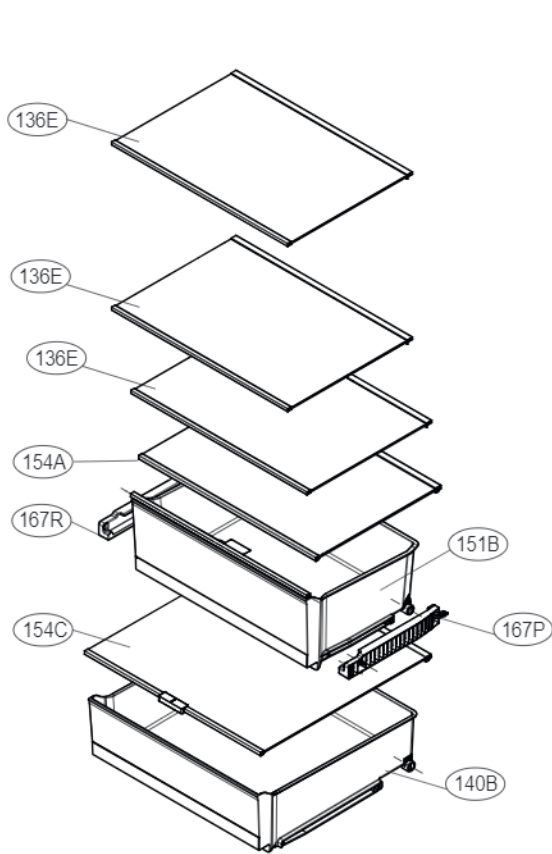
EXPLODED VIEW

Ref. No : GBP62**NBC



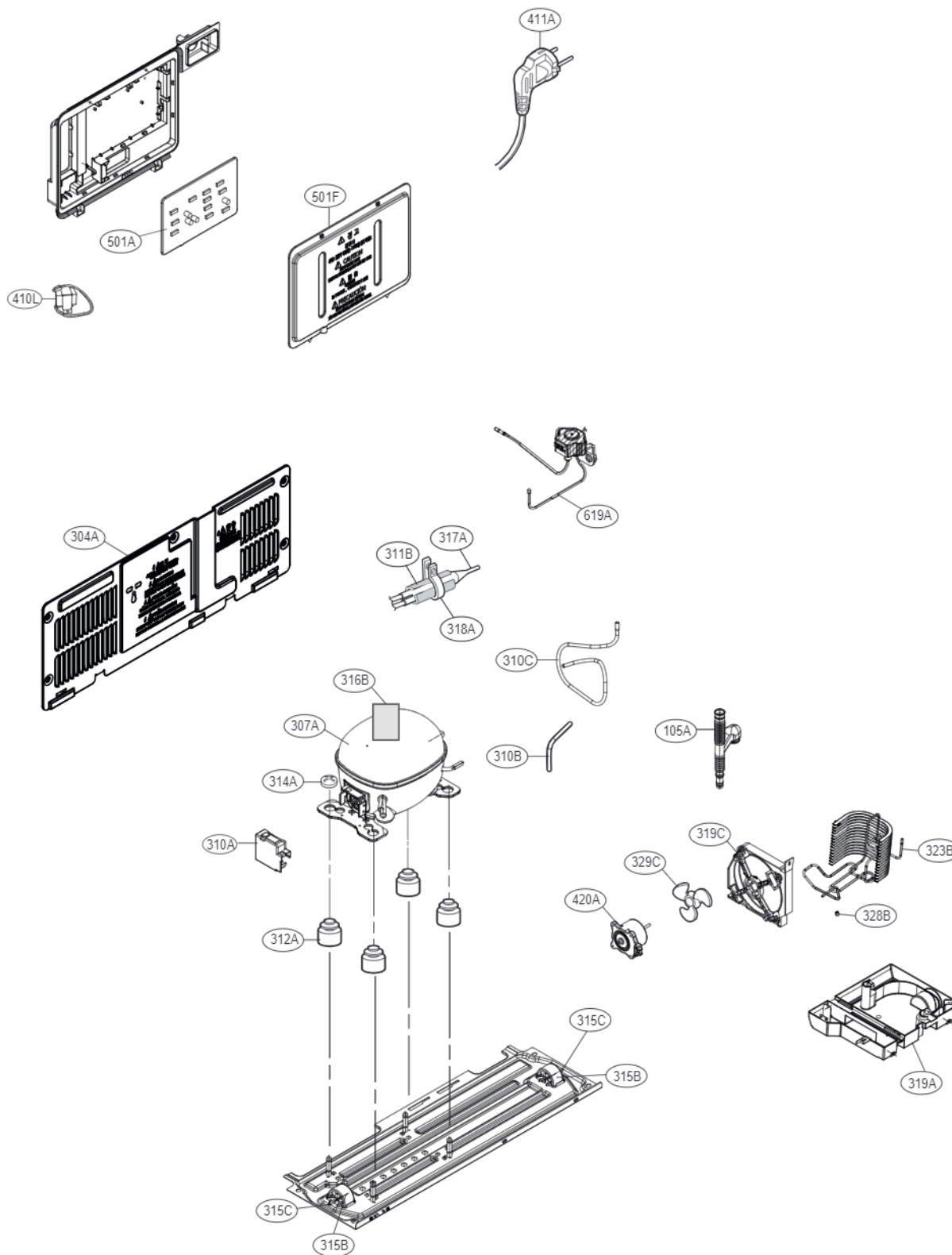
EXPLODED VIEW

Ref. No : GBP62**NBC



EXPLODED VIEW

Ref. No: GBP62**NBC



☒ The parts of refrigerator and the shape of each part are subject to change in different localities.