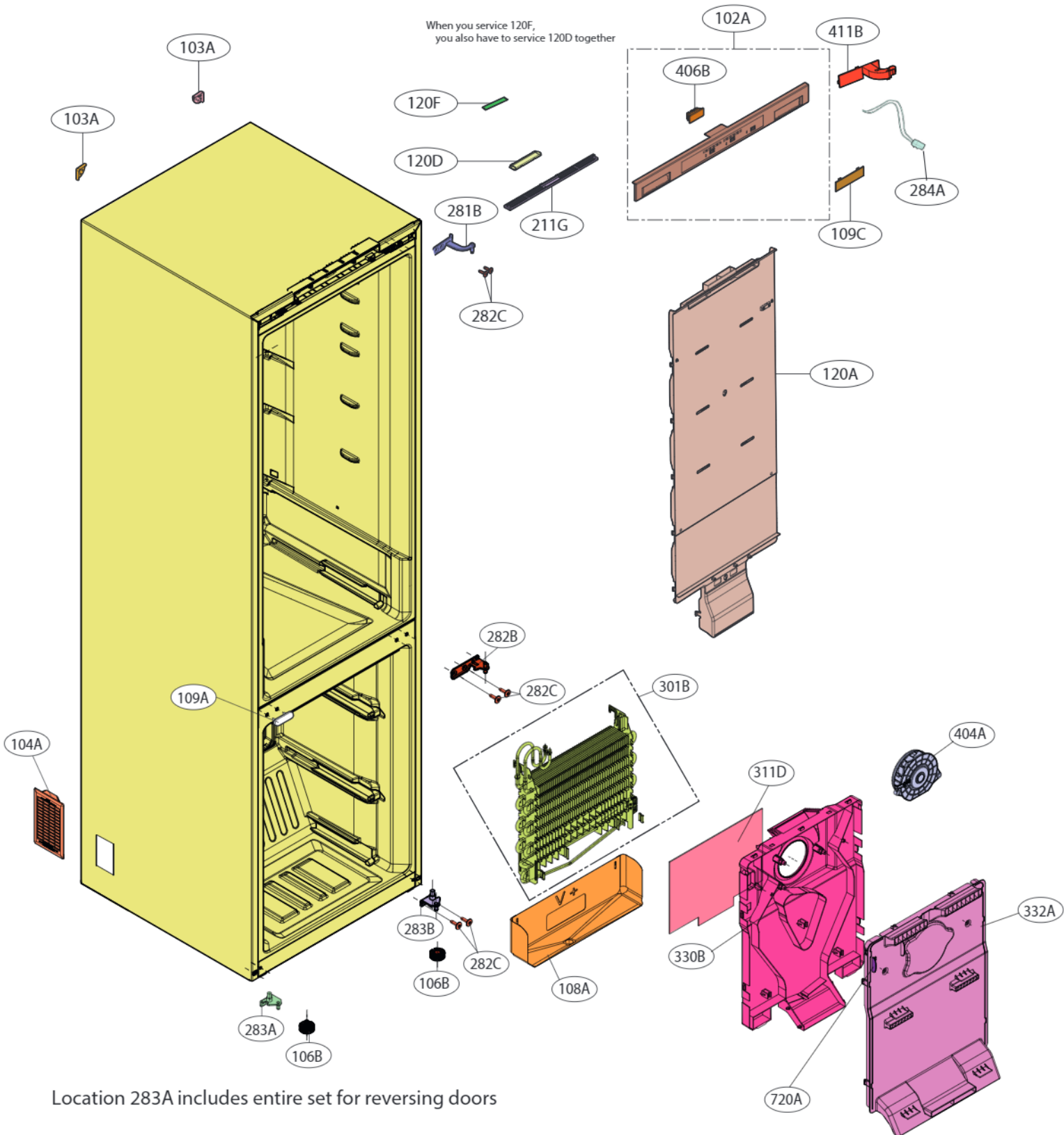


# EXPLODED VIEW

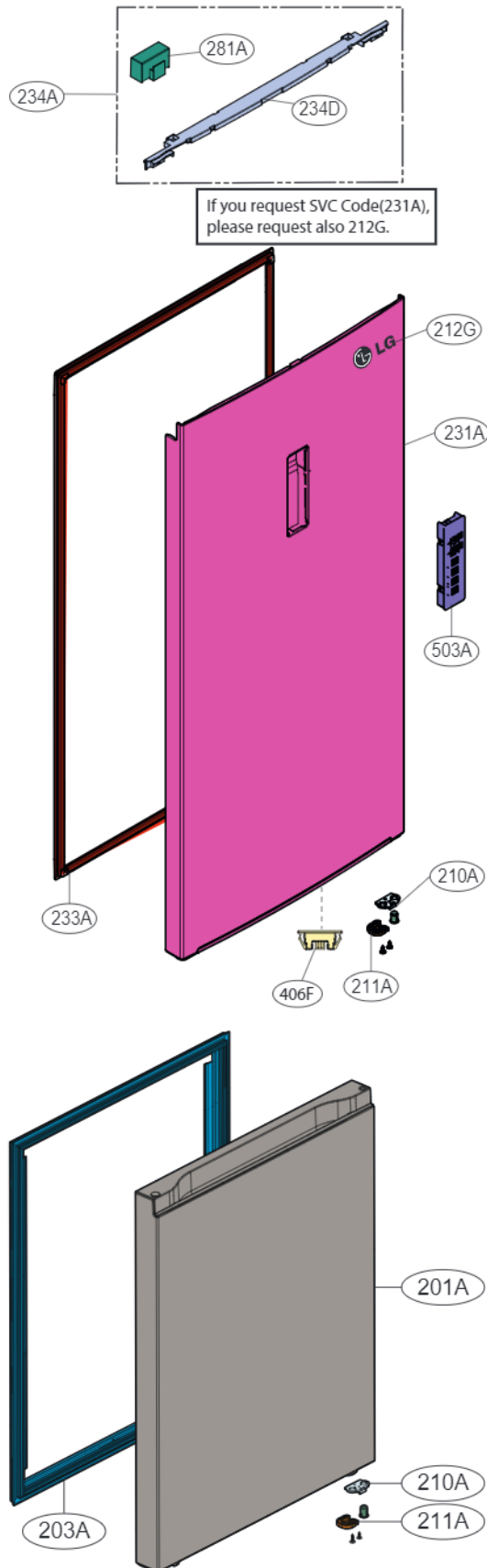
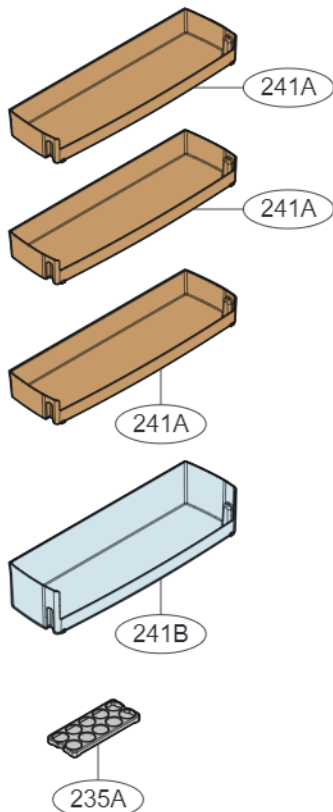
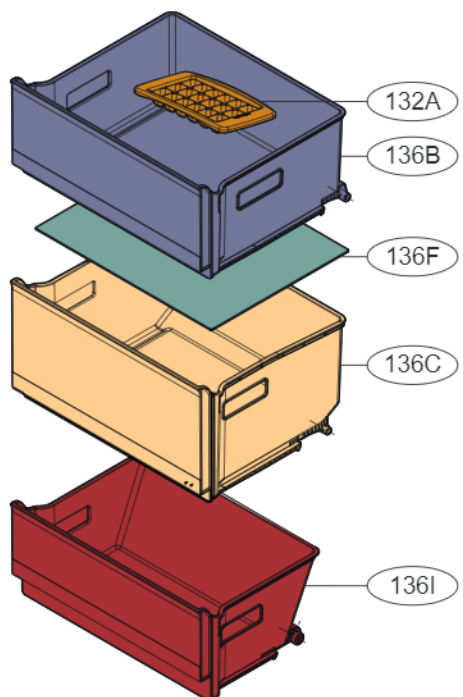
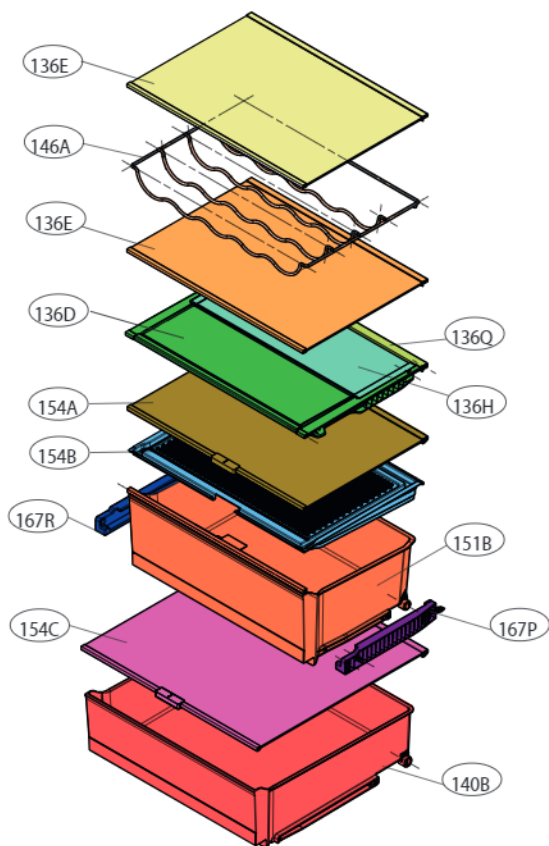
Ref. No : GBB72\*\*UCN



► The parts of refrigerator and the shape of each part are subject to change in different localities.

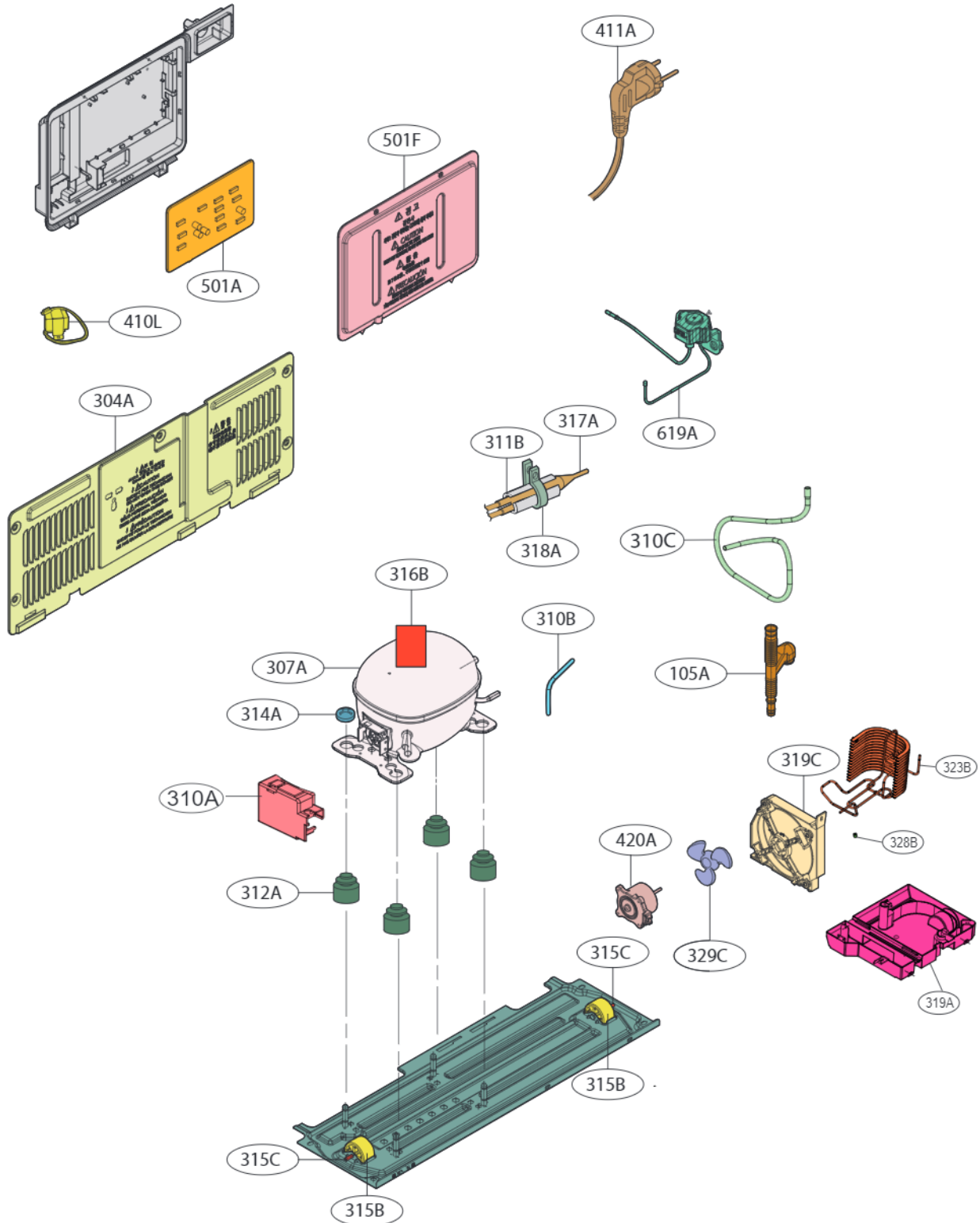
# EXPLODED VIEW

Ref. No : GBB72\*\*UCN



# EXPLODED VIEW

Ref. No: GBB72\*\*UCN



☒ The parts of refrigerator and the shape of each part are subject to change in different localities.