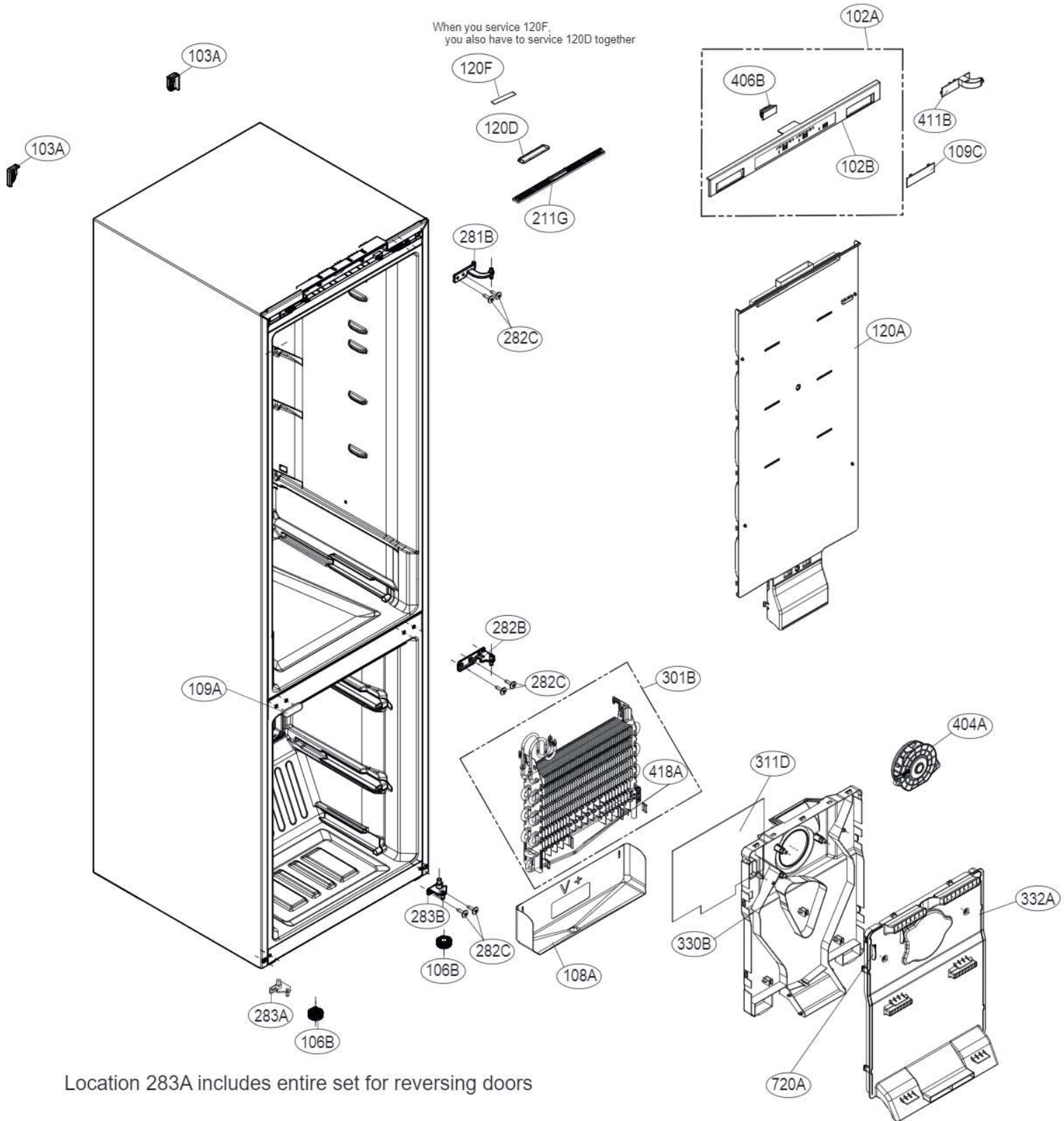


# EXPLODED VIEW

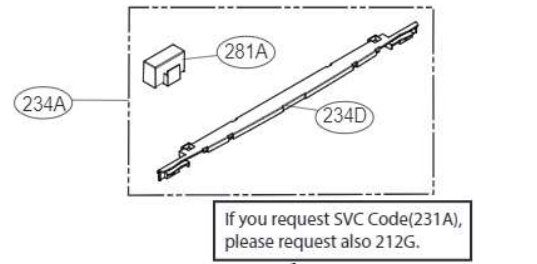
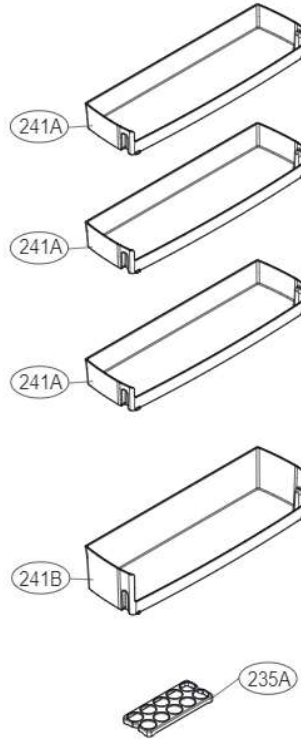
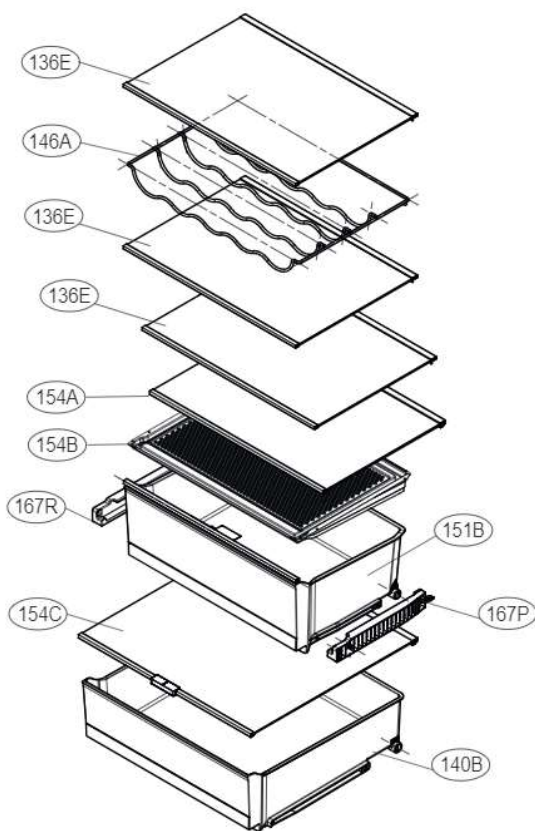
Ref. No : GBB62\*\*GFN



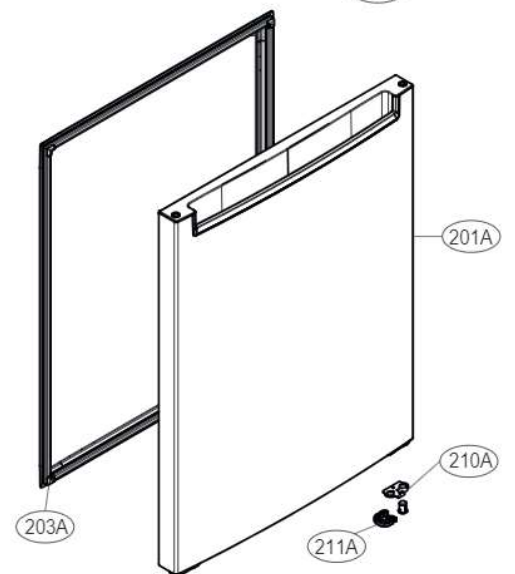
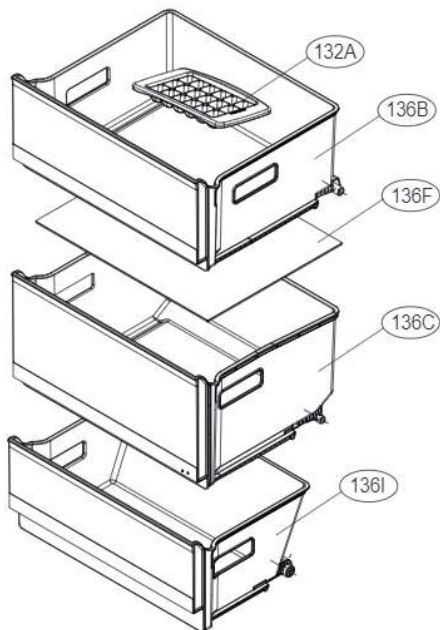
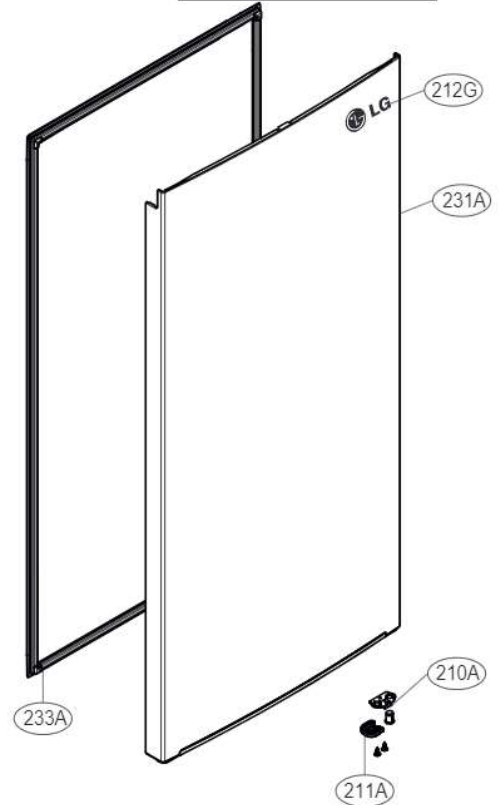
► The parts of refrigerator and the shape of each part are subject to change in different localities.

# EXPLODED VIEW

Ref. No : GBB62\*\*GFN



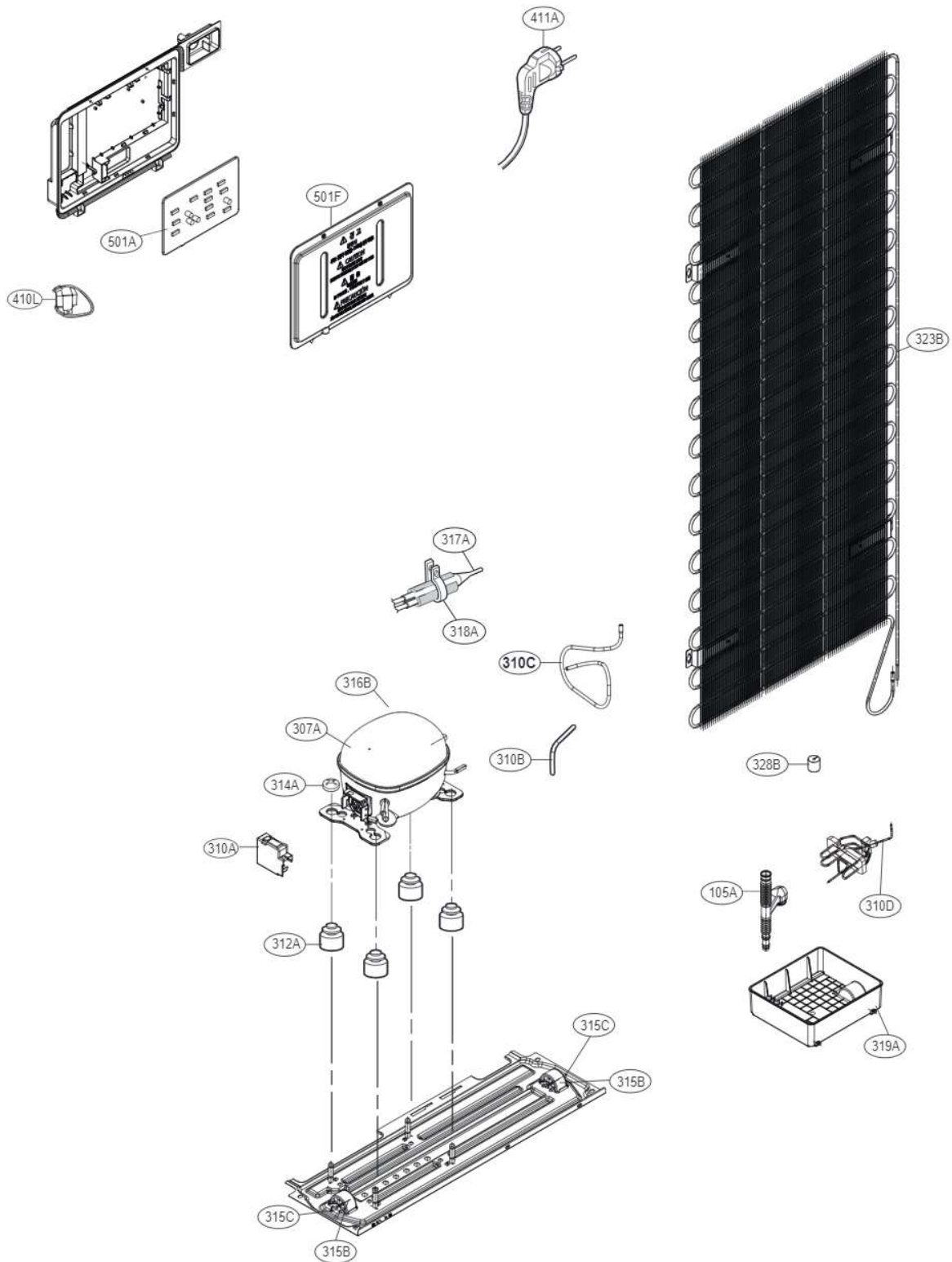
If you request SVC Code(231A), please request also 212G.



► The parts of refrigerator and the shape of each part are subject to change in different localities.

# EXPLODED VIEW

Ref. No: **GBB62\*\*GFN**



☒ The parts of refrigerator and the shape of each part are subject to change in different localities.