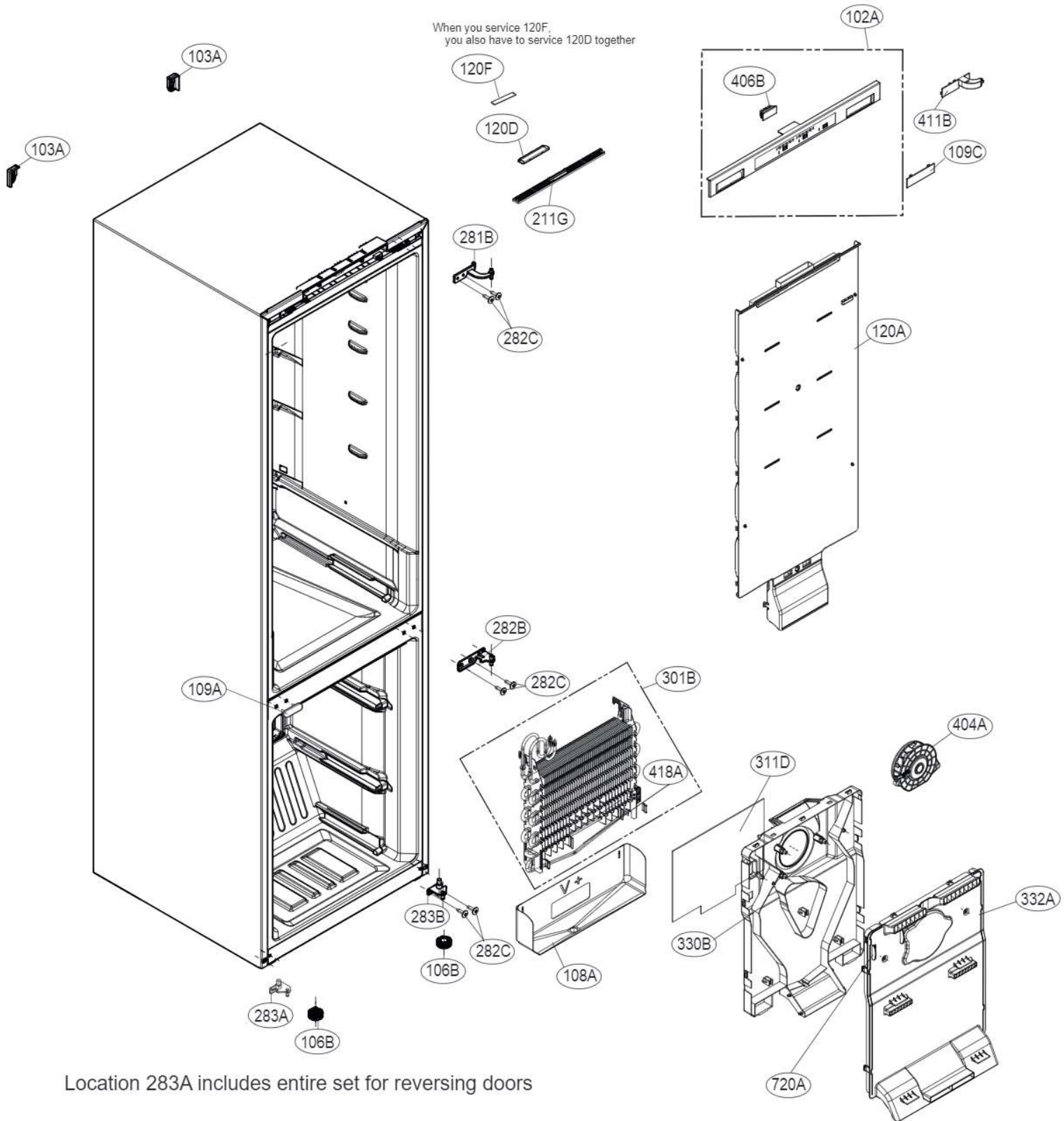


# EXPLODED VIEW

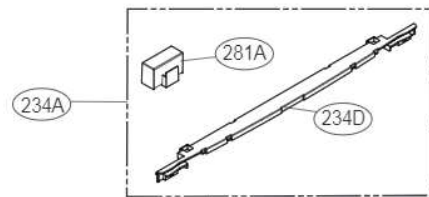
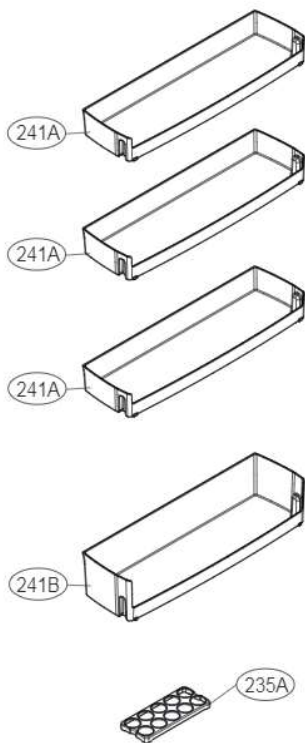
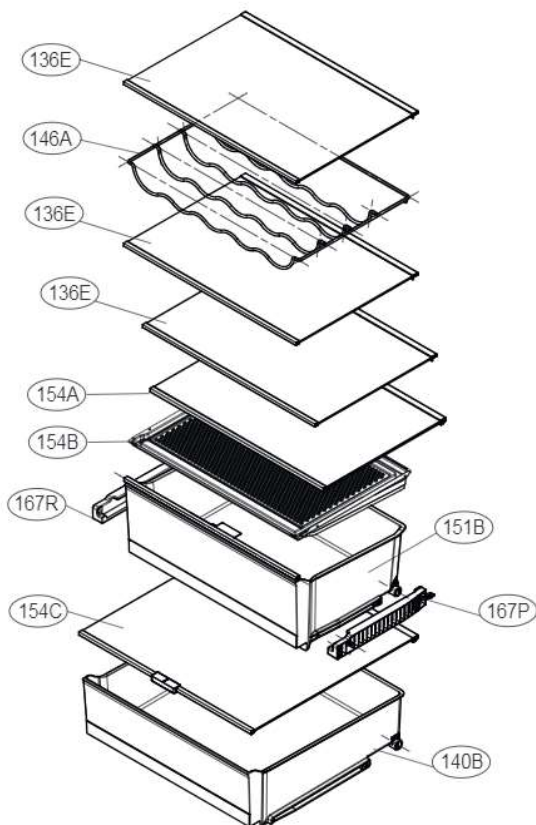
Ref. No : GBB62\*\*FGC, GBB62\*\*FGN



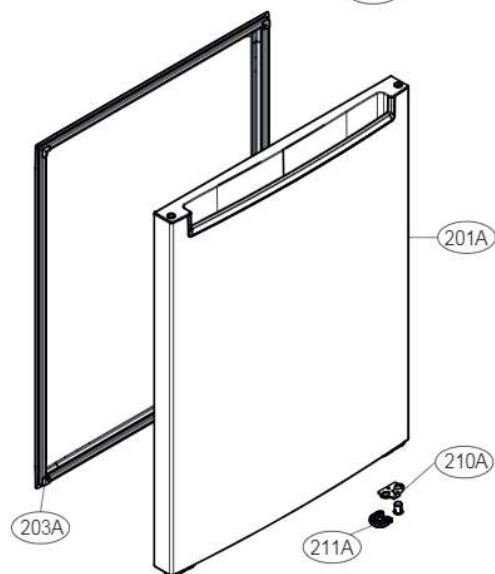
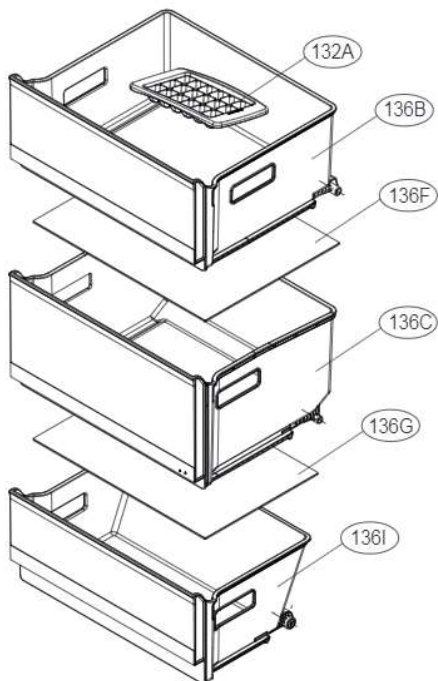
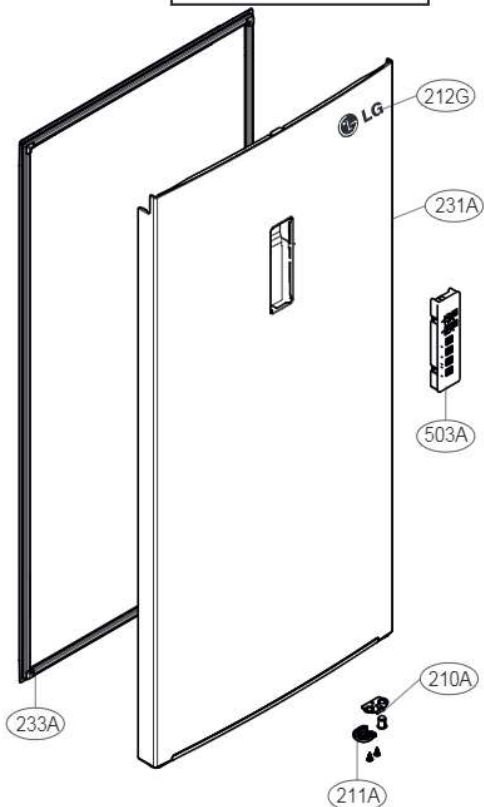
► The parts of refrigerator and the shape of each part are subject to change in different localities.

# EXPLODED VIEW

Ref. No : GBB62\*\*FGC, GBB62\*\*FGN



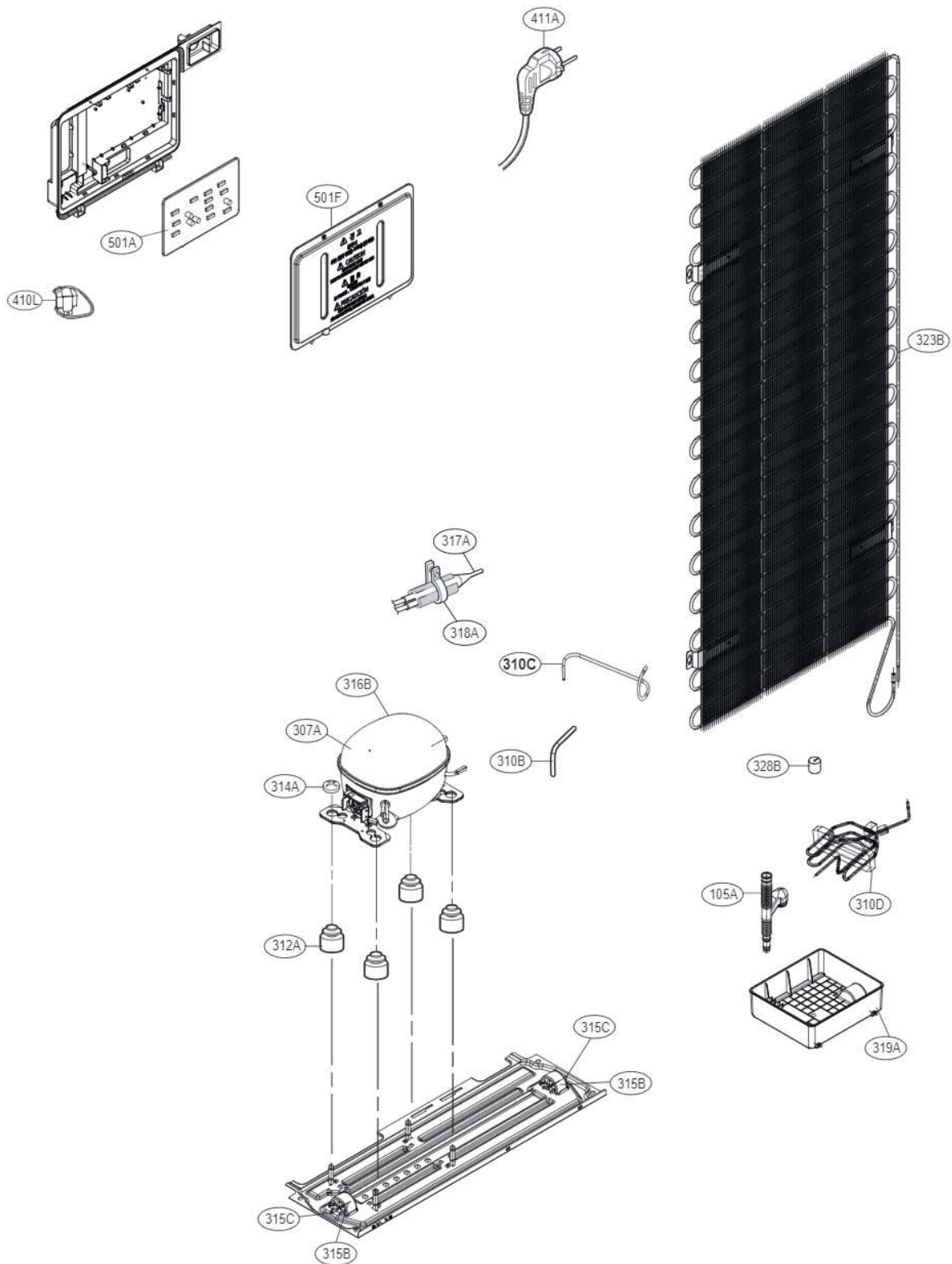
If you request SVC Code(231A), please request also 212G.



► The parts of refrigerator and the shape of each part are subject to change in different localities.

# EXPLODED VIEW

Ref. No: GBB62\*\*FGC, GBB62\*\*FGN



☒ The parts of refrigerator and the shape of each part are subject to change in different localities.