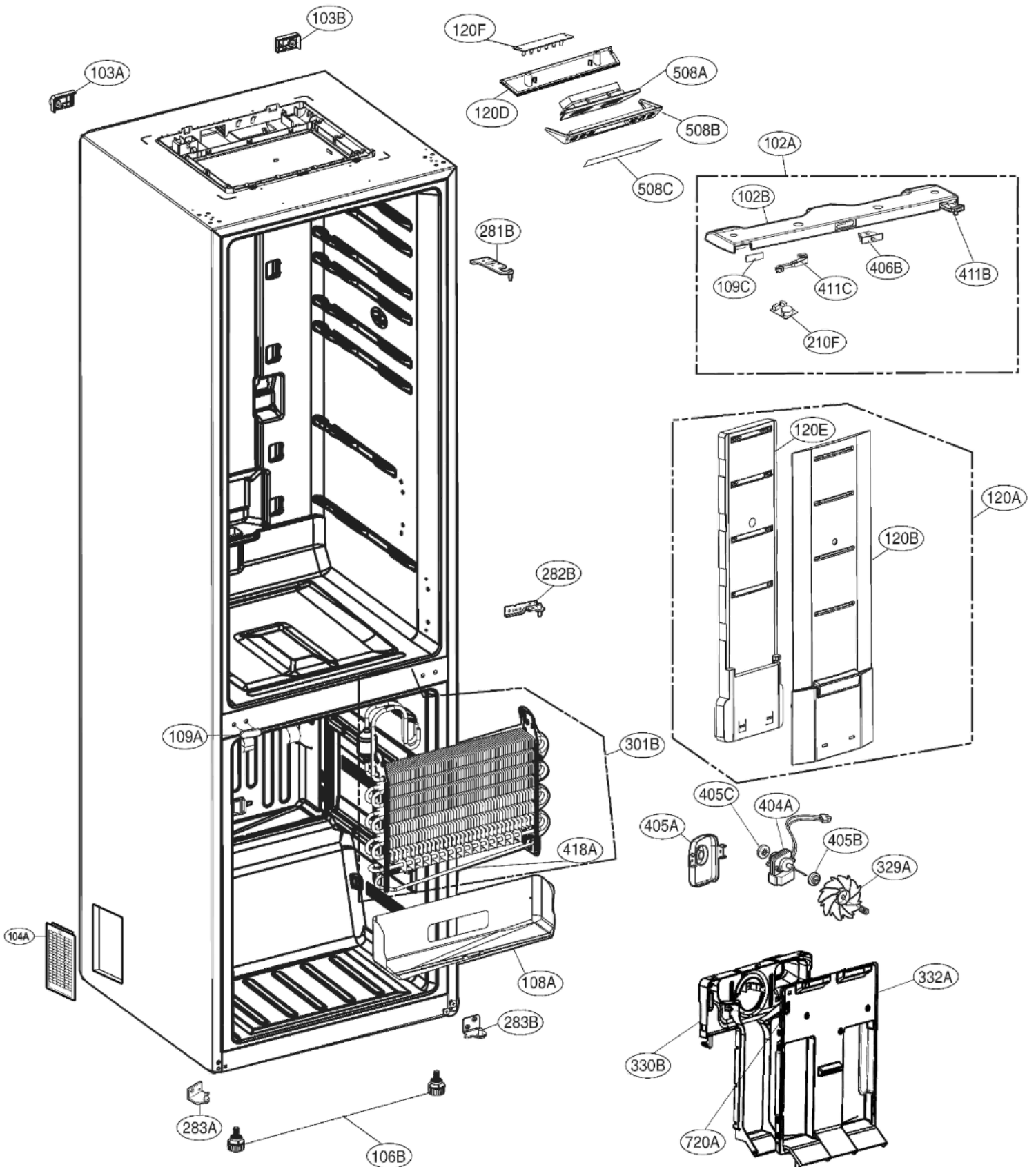


# EXPLODED VIEW

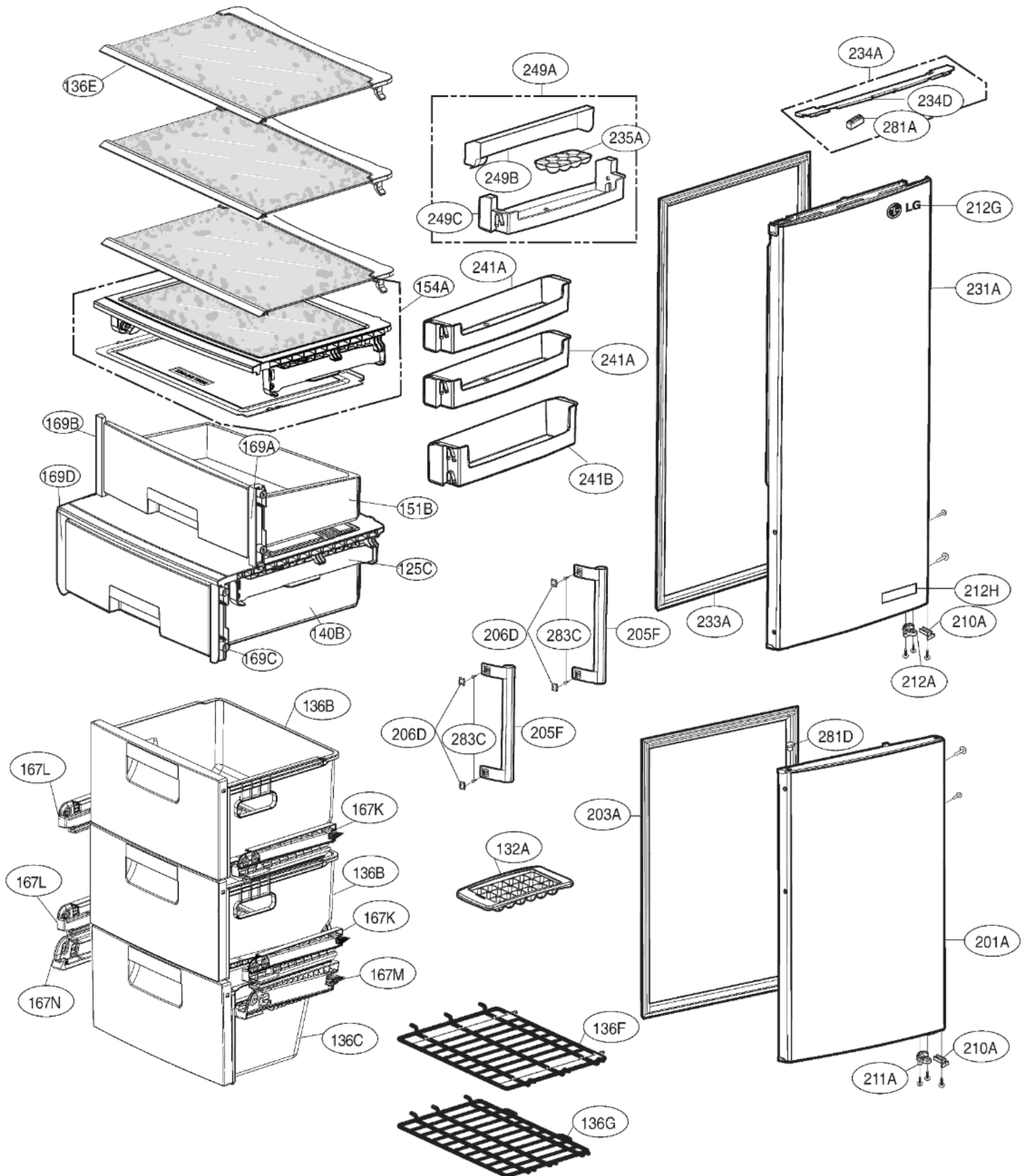
Ref. No : GBB530\*\*C\*\*



► The parts of refrigerator and the shape of each part are subject to change in different localities.

# EXPLODED VIEW

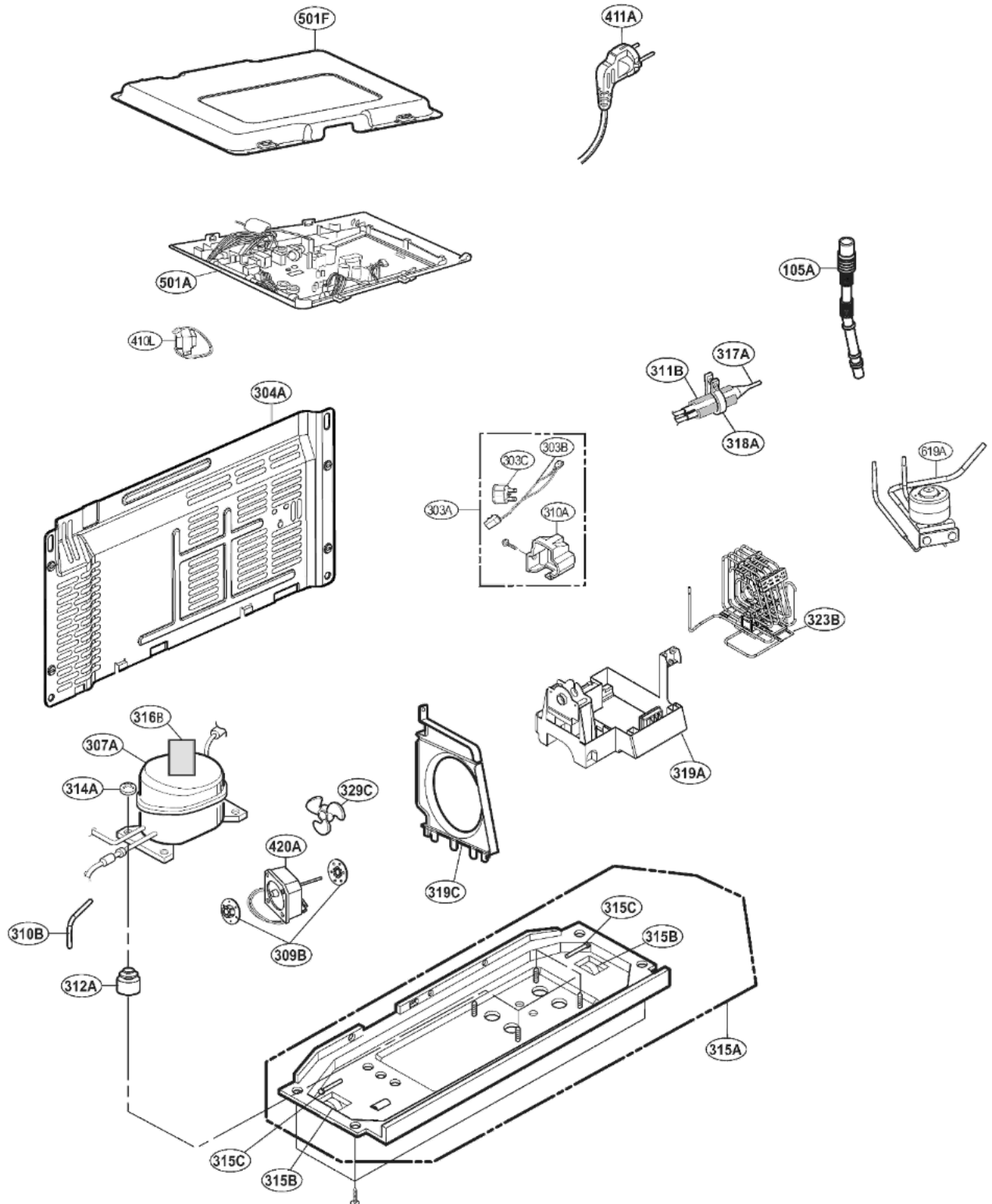
Ref. No : GBB530\*\*C \*B



► The parts of refrigerator and the shape of each part are subject to change in different localities.

# EXPLODED VIEW

Ref. No: GBB530\*\*\*F\* GBB539\*\*\*F\*



► The parts of refrigerator and the shape of each part are subject to change in different localities.

