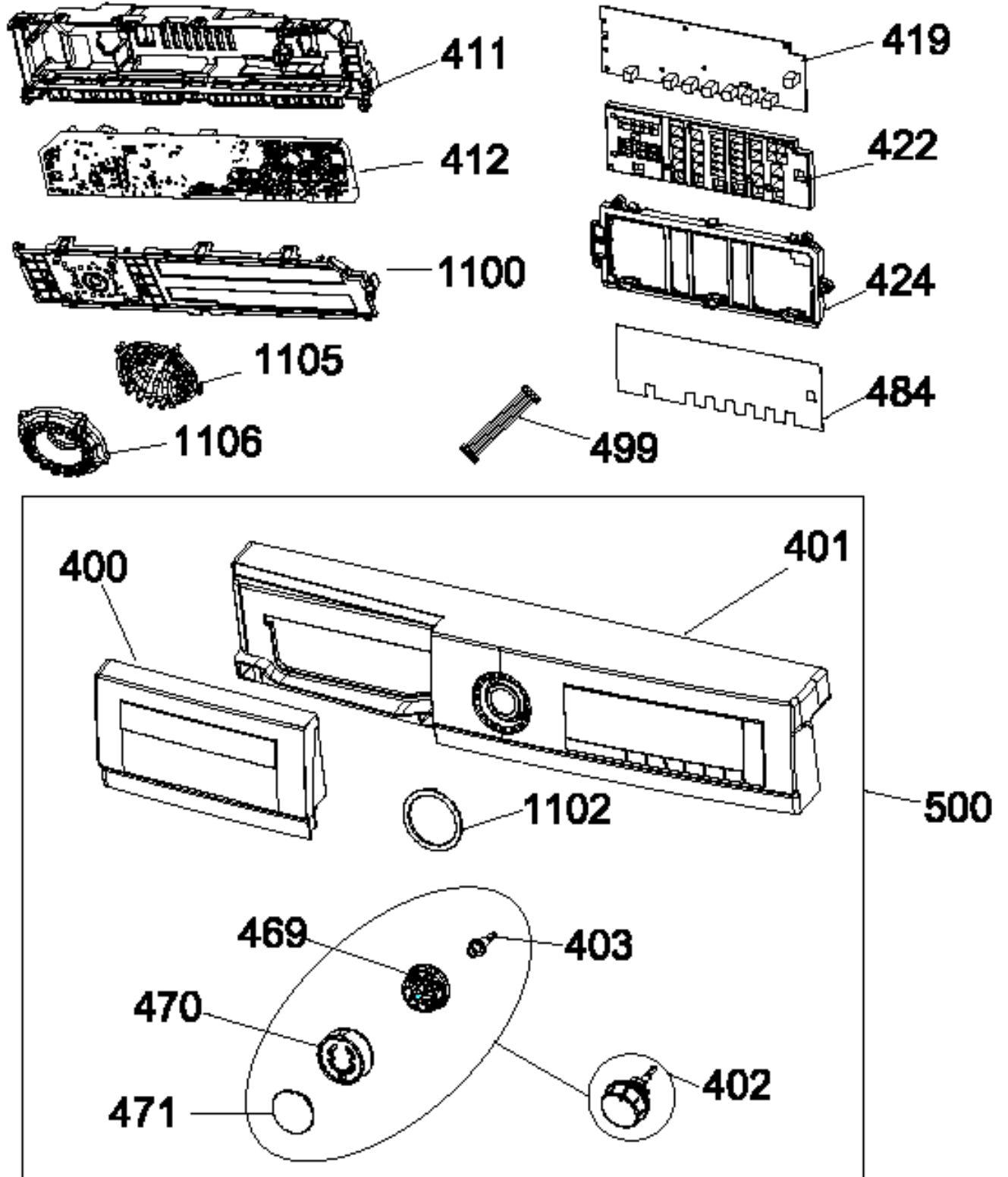


1 - CONTROL PANEL PARTS

1.1. Exploded View

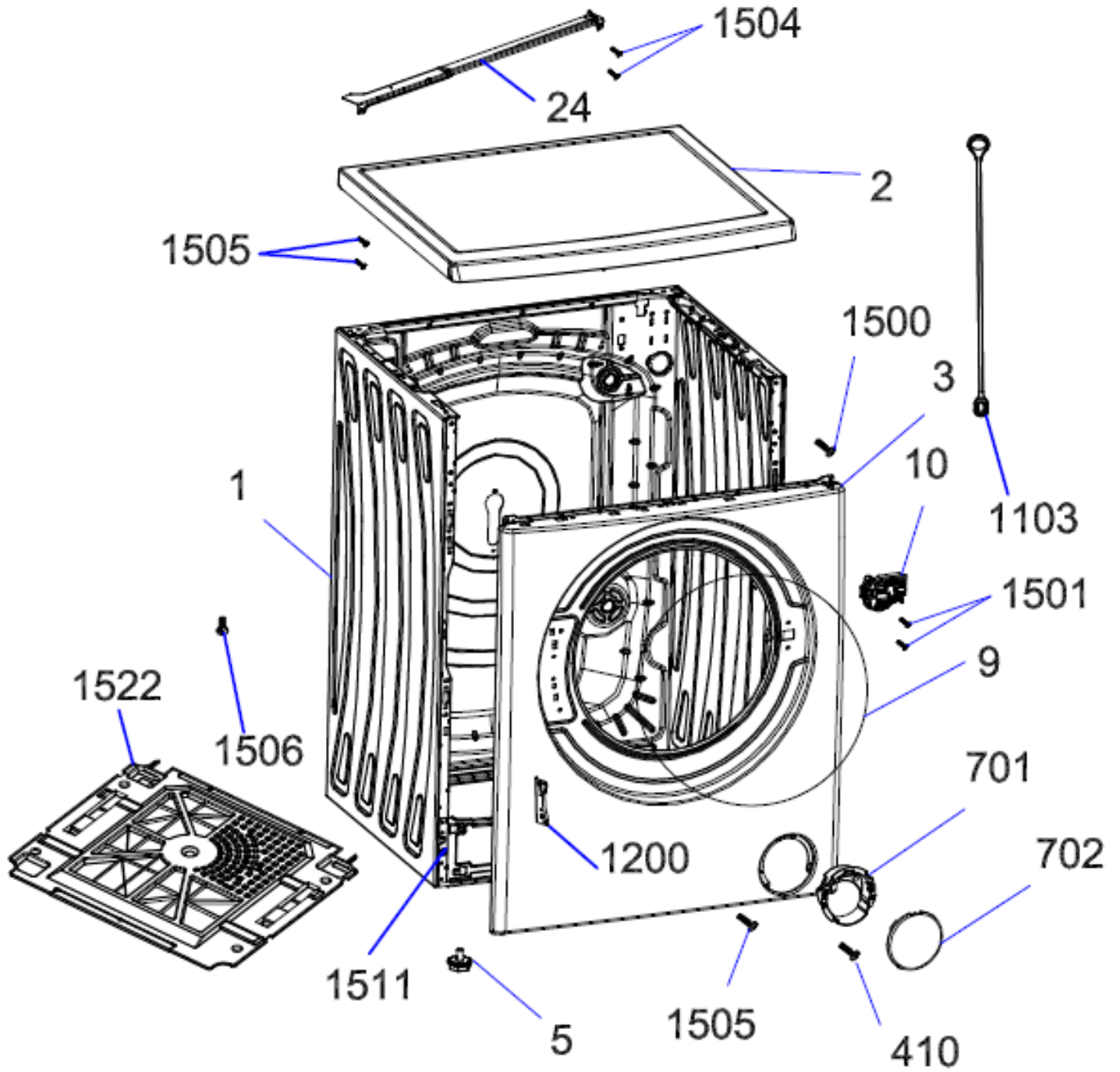


1.2. Spare Part List

NO	PART NAME	QUANTIT Y
400	DETERJAN DRAWER COVER	1
401	CONTROL PANEL	1
402	PR.ADJ.KN GR	1
411	PCB BOX	1
412	ELECTRONIC CARD GR.	1
419	LCD CARD GR	1
422	LCD CARD BOX INSERT PART	1
424	LCD FRAME	1
461	SOCKET HOLDER-J1	1
462	SOCKET HOLDER-J2	1
463	SOCKET HOLDER-J3	1
*469	PROGRAM SELECTION KNOB INSERT	1
*470	PR.SELECTION KNOB BODY	1
*471	PR.SELECTION KNOB COVER	1
484	DISPLAY FILM	1
499	LCD COMMUNICATION CABLE	1
500	CONTROL PANEL GR.	1
1100	PCB BOX REAR COVER	1
1102	JD LENS	1
1105	LIGHTGUIDE SPACER	1
1106	LIGHTGUIDE COVER	1

2 - FRONT PANEL PARTS

2.1. Exploded View



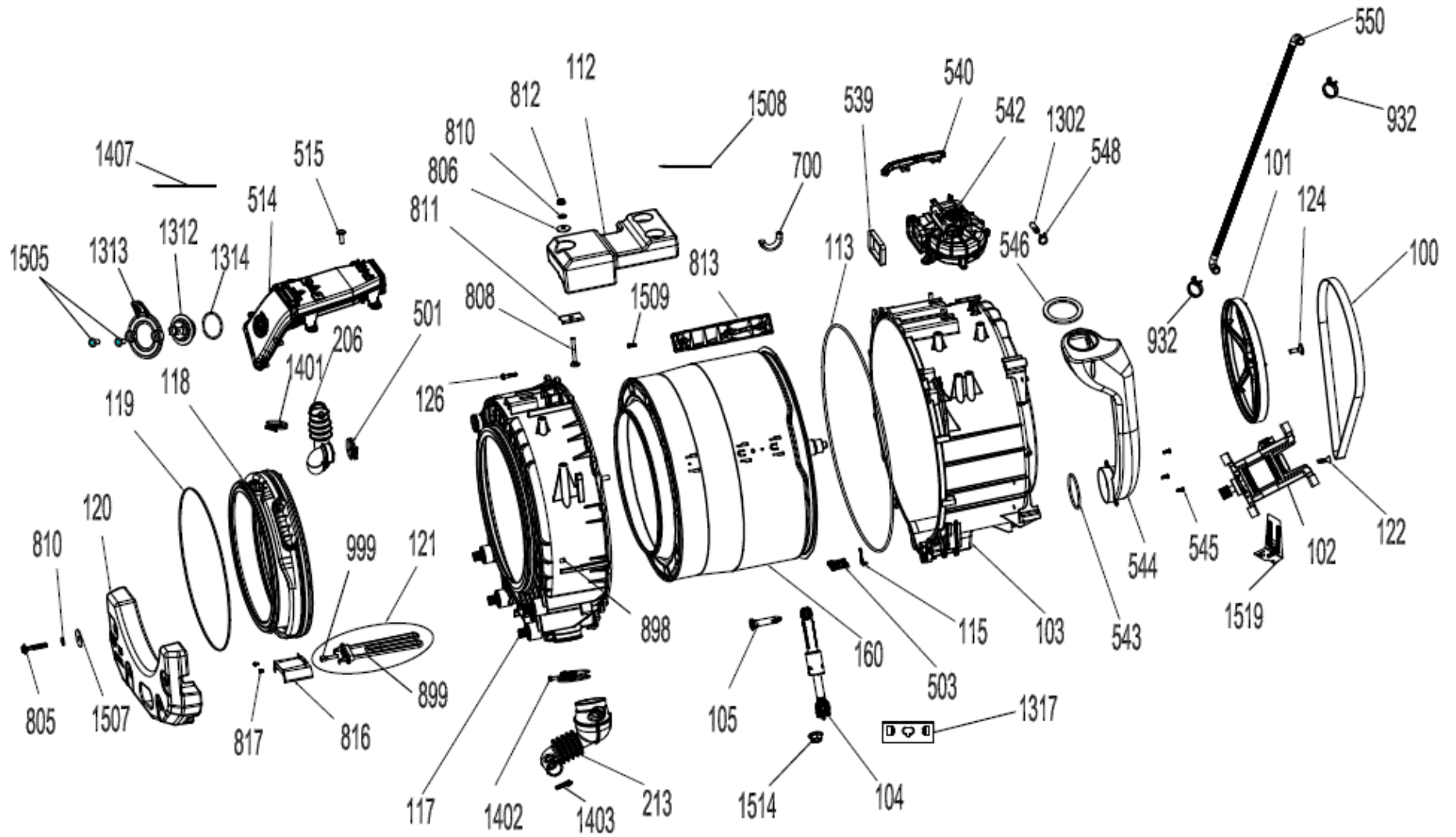
2.2. Spare Part List

NO	PART NAME	QUANTITY
1	BODY GROUP PAINTED	1
2	UPPER TRAY GROUP	1
3	FRONT PANEL GROUP	1
5	ADJUSTABLE FEET	4
9	BODY-GASKET CLAMP	1
10	DOOR LOCK	1
24	UPPER SUPPORT BRAKET	1
410	SCREW 4X12 TORX PAN HE.W.COL.UND.HE.SER.	1
701	PUMP COVER HOUSING	1
702	PUMP COVER	1
*1103	EMERGENCY LOCK RELEASE	1
1200	HINGE SUPPORT SHEET	1
*1315	FLOOR PLASTIC GR	1
1500	ST 4,8X9,5 PAN HE.WITH COL.TORX UN.SER.E	4
1501	ISO 7049 ST 4,2X16 TORX	2
1504	ISO 7049 ST 4,2X13 TORX	2
1505	ST 4,2X9,5 TRTSB	5
*1506	SCREW TT M4X8 TSB	1
1511	FRONT PANEL DROP FIXING PLASTIC-I-B	2
*1522	FLOOR PLASTIC GR	1

***1103 - 1315 – 1506 - 1522 “This spare part is optional and depends on agreed specifications. Therefore you may not find this position number in product’s spare part list.”**

3 - WASHING DRYER GROUP PARTS

3.1. Exploded View



3.2. Spare Part List

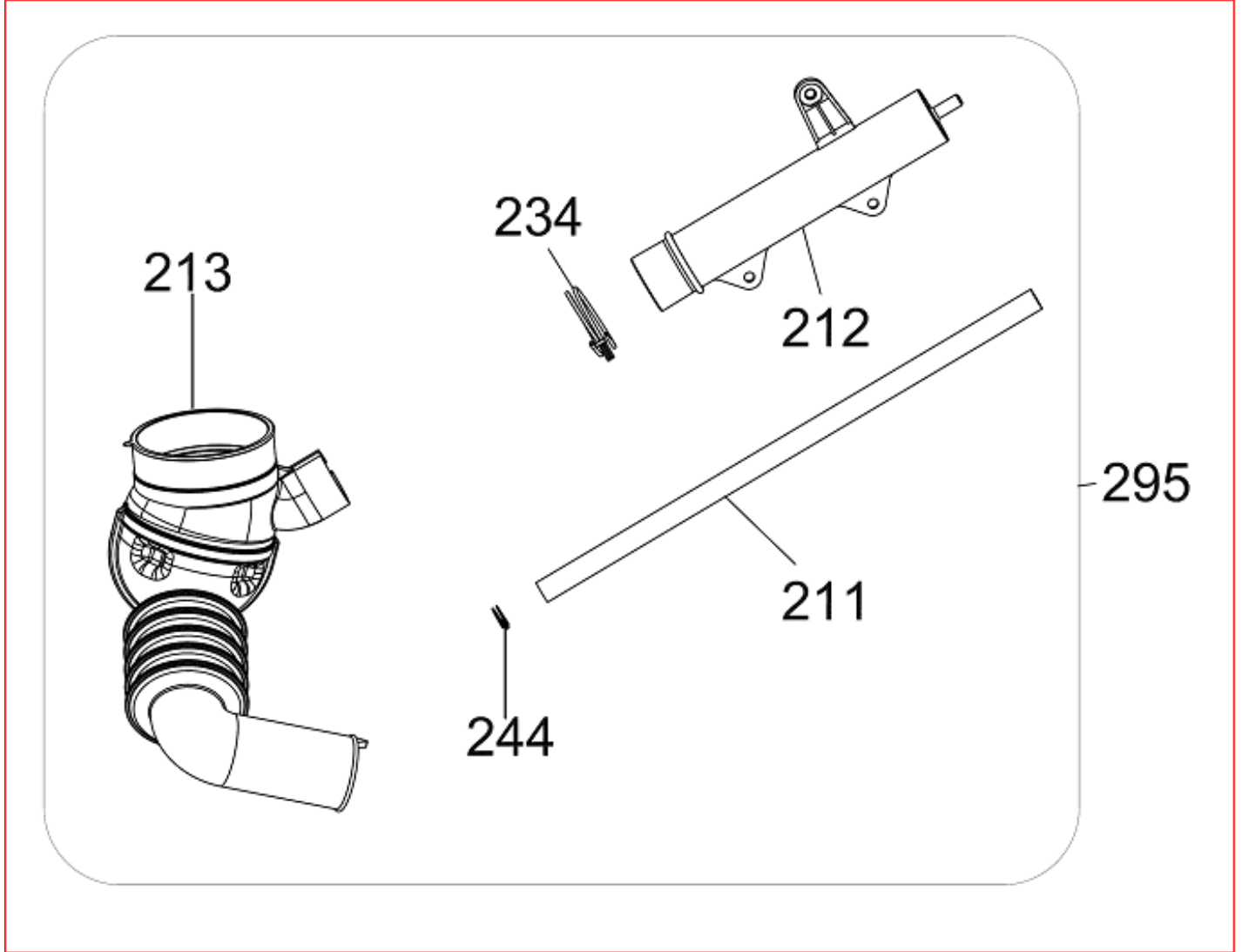
NO	PART NAME	QUANTITY
100	BELT	1
101	PULLEY	1
102	MOTOR	1
103	REAR TUB GROUP	1
104	SHOCK ABSORBER	2
105	SHOCK ABSORBER PIN	2
112	UPPER COUNTERWEIGHT	1
113	TUB SEAL	1
115	RESISTANCE FIXING WIRE / DRYER	1
117	FRONT TUB	1
118	TUB BELLOWS SEAL	1
119	TUB BELLOWS CLIP	1
120	FRONT COUNTERWEIGHT	1
121	RESISTANCE GROUP	1
122	COUNTERSUNK HEAD BOLT8X25 TORX	4
124	COUNTERSUNK HEAD BOLT M 8X29	1
160	DRUM GROUP	1
206	TUB ENTERANCE WITH BELLOW HOSE	1
213	TUB EXIT WITH BELLOW HOSE	1
501	SPRING TYPE HOSE CLAMP \varnothing 44.4	1
503	RESISTANCE FIXING WIRE HOUSING PLASTIC PART	1
126	HEXAGON HEAD BOLT 6X30 PT TYPE-3	17
514	HEATER HOUSING ASSEMBLY GROUP	1
515	SCREW 8X30 PAN HEAD WITH COLLAR TORX	6
539	BLOWER HEATER HOUSING SEALING FOAM	1
540	FAN HOUSING CABLE ROUTER PLASTIC PART	1
542	FAN GROUP	1
543	CONDENSER TUB GASKET	1
544	CONDENSER	1
545	SCREW 5x14 PAN HEAD TORX	6
546	CONDENSER FAN GASKET	1
548	SPRING TYPE HOSE CLAMP \varnothing 18.2	1
550	VALVE CONDENSER HOSE	1
700	TUB HANGER SPRING PART-2	2
805	HEXAGON HEAD BOLT 10X52	4
806	WASHER 8,5X35X3	3
808	MUSHROOM HEAD SQUARE NECK BOLT M8X65	3
810	CONICAL SPRING WASHER 8.4X18X2	4
811	UPPER CONCRETE SUPPORT SHEET IRON PART	3
812	M8 NUT	3
813	PLASTIC LIFTER	3
816	RESISTANCE PROTECTION FOIL-1-C	1
817	SCREW 3,5X7PAN HEAD WITH COLAR CROSS RE.	2
898	PSW HOSE MOUNTING RUBBER-10MM	1
899	RESISTANCE	1
932	CLAMP \varnothing 15.88	2
999	NTC	1
1302	DRYER NOZZLE	1
***1301	DRYER FAN GR	1
1401	SCREWED HOSE CLAMP \varnothing 45	1
1402	HOSE CLAMP SCREW TYPE \varnothing 72	1
1403	HOSE CLAMP \varnothing 38,8	1
1407	CABLE-TIE-4,8*400 MM	1
1507	PLAIN WASHER 10.5X40X2.5	4
1508	CABLE TIE(YKB150)	15
1509	SCREW 4X14 PAN HEAD TORX INOX	3
1514	PREV.TOR.TY.HEX.NUT WITH FLAN.M6-DIN6927	2
1312	WASHER-DRYER NTC TEMP. SEN.	2
1313	NTC ASSEMBLY PLASTIC PART	1
1314	NTC GASKET	1
**1317	SHOCK ABSORBER SUPPORT PLASTIC	1
1505	ST 4,2X9,5 TRTSB	2
**1519	BRACKET BLDC	1

***1301.... Part no : 540+546

**1317 - 1519 "This spare part is optional and depends on agreed specifications. Therefore you may not find this position number in product's spare part list."

4. PRESSURE SWITCH HOSE GROUP

4.1. Exploded View



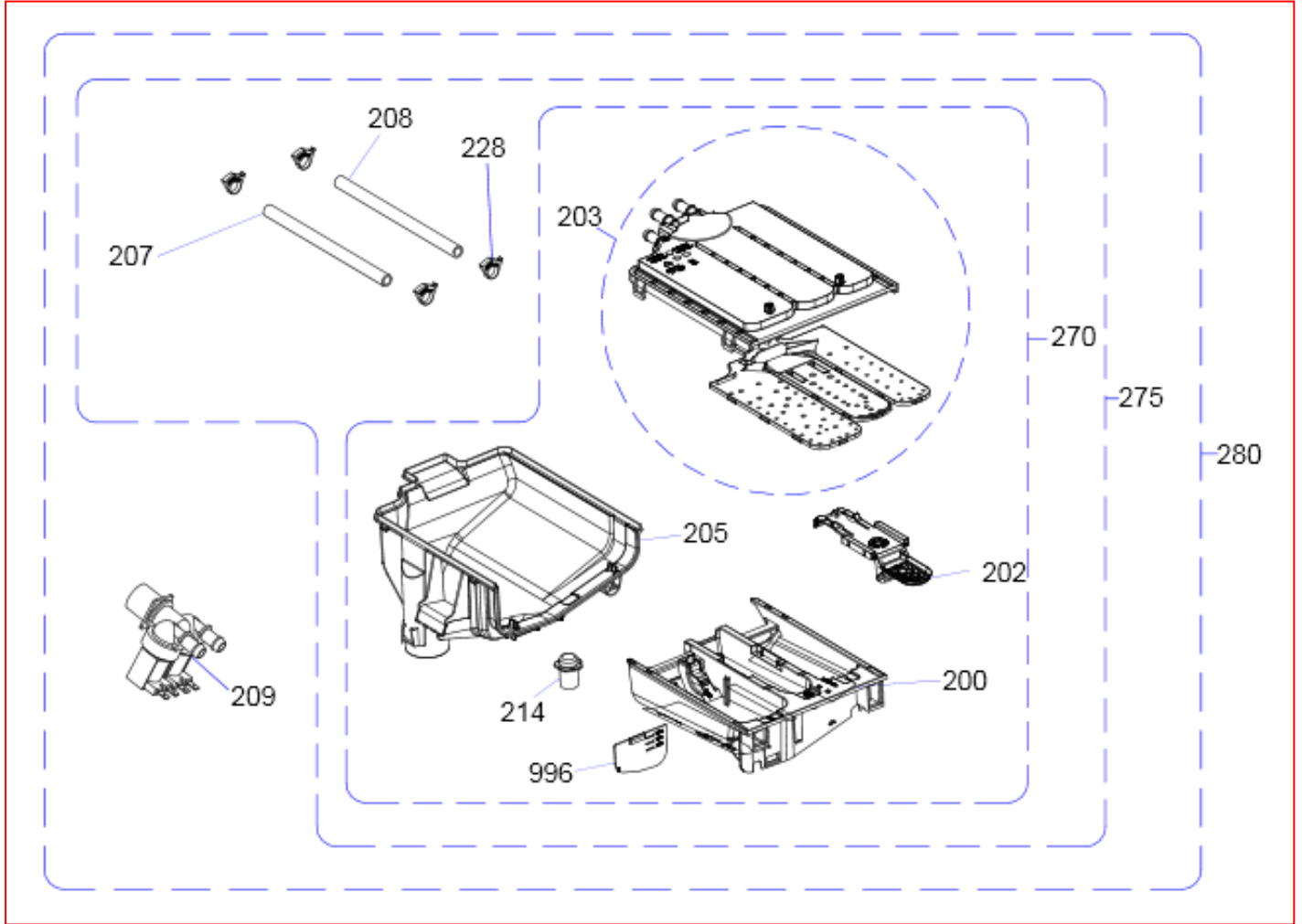
4.2. Spare Part List

NO	PART NAME	QUANTITY
213	TUB EXIT WITH BELLOW HOSE	1
212	PRESSURE SWITCH WATER RESERVOIR	1
211	PRESSURE SWITCH HOSE	1
234	HOSE CLAMP Ø32,7	1
244	HOSE CLAMP Ø9,6	1
295	PRESSURE SWITCH HOSE GROUP	1

213-212-211-234-244----- PRESSURE SWITCH HOSE GROUP

5 - DETERGENT DRAWER GROUP

5.1. Exploded View

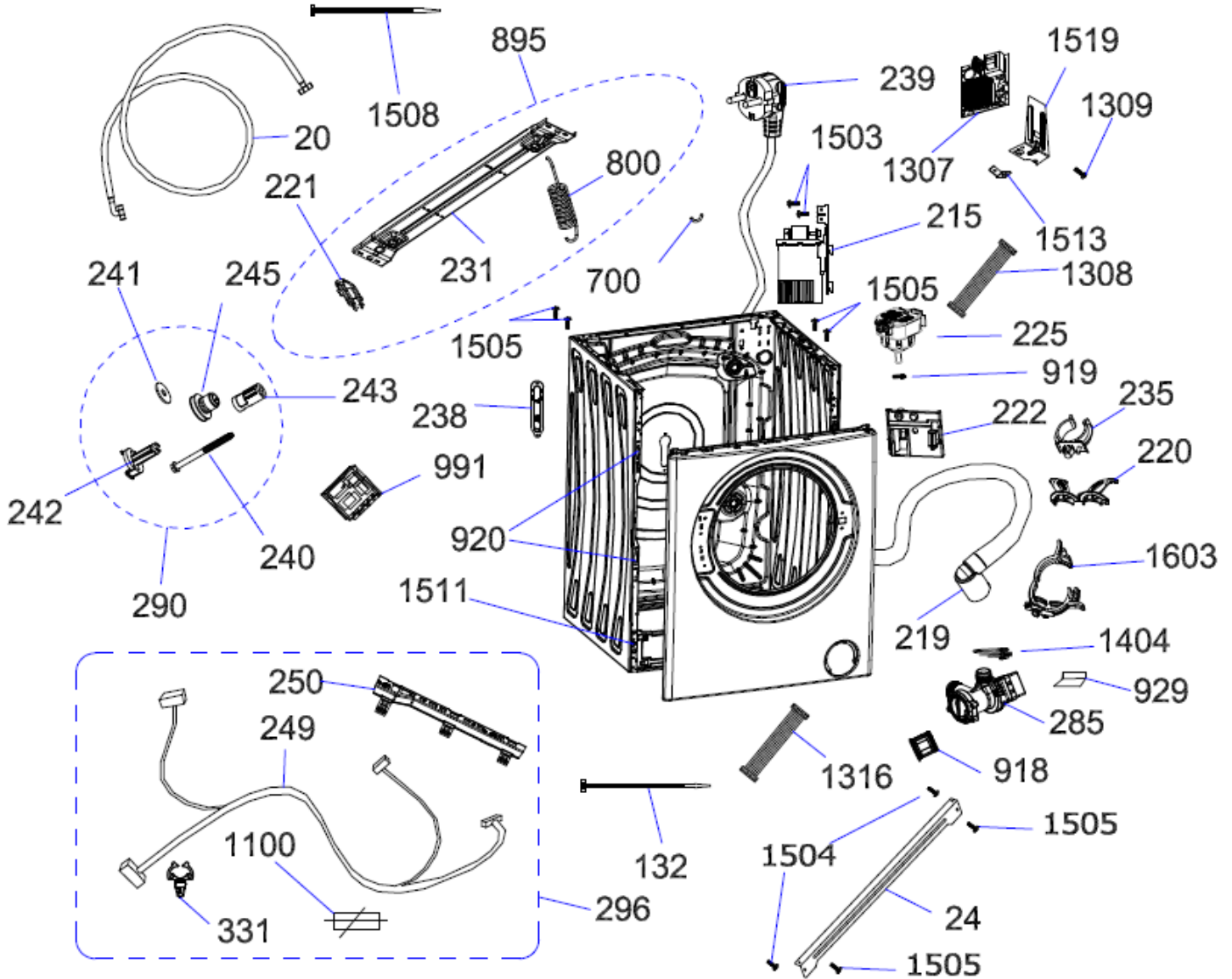


5.2. Spare Part List

NO	PART NAME	QUANTITY
200	DETERGENT DRAWER	1
202	SIPHON COVER	1
203	WATER DISTRIBUTION PLATE GROUP	1
205	DETERGENT DRAWER HOUSING	1
207	VALVE-DETERGENT BOX HOSE - 260	1
208	VALVE-DETERGENT BOX HOSE - 240	1
209	VALVE(TWO EXIT)	1
214	DETERGENT DRAWER LOCKING PART	1
228	PLASTIC HOSE CLAMP	6
996	LIQUID DETERGENT LEVEL PLATE	1
270	DETERGENT BOX GROUP	1
275	DETERGENT BOX GROUP/HOSE	1
280	DETERGENT BOX GROUP/FULL	1

6 - BODY GROUP PARTS

6.1. Exploded View



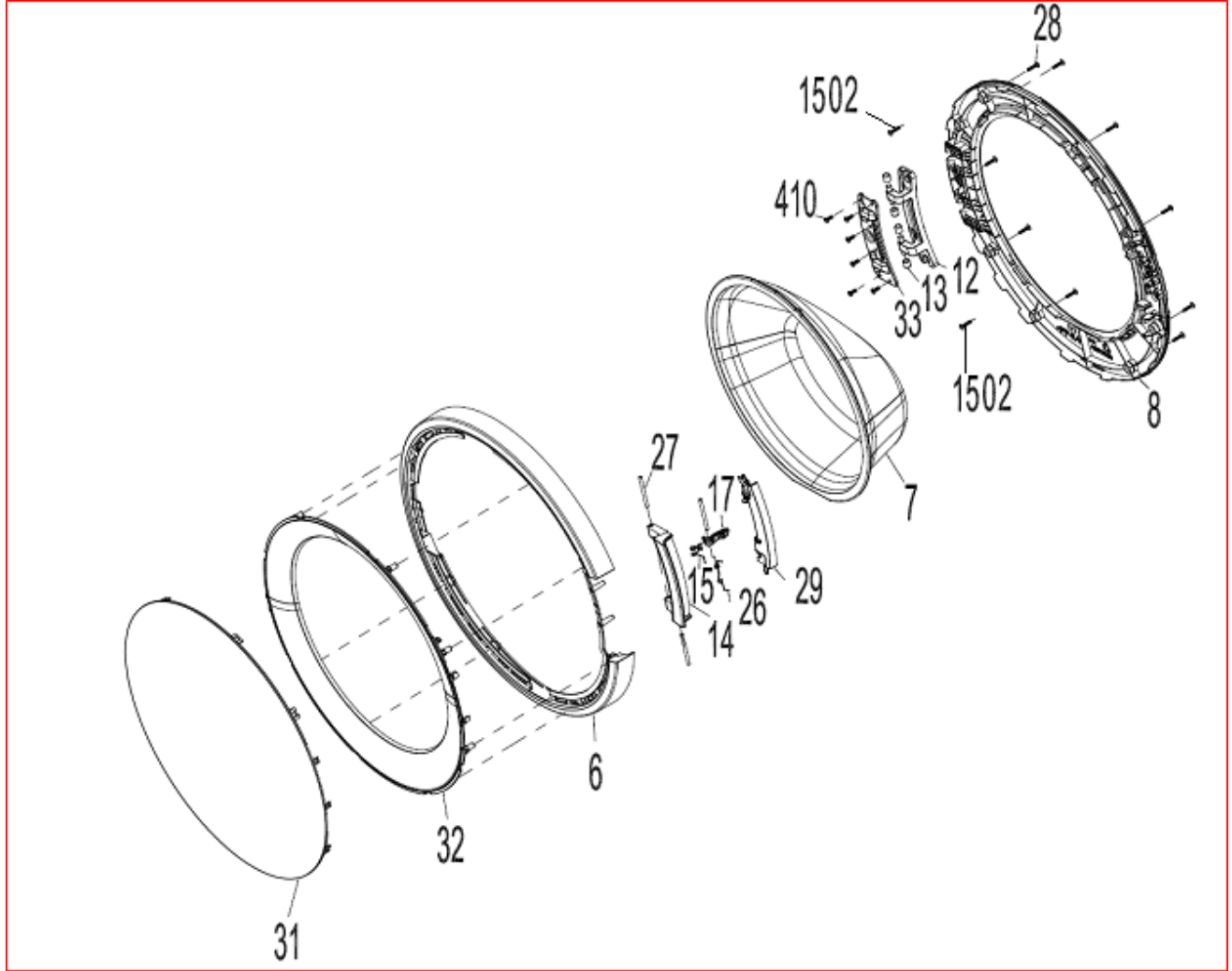
****1100 – 1307 – 1308 - 1309 - 1316 - 1513 "This spare part is optional and depends on agreed specifications. Therefore you may not find this position number in product's spare part list."**

6.2. Spare Part List

REF. NO	PART NAME	QTY
20	WATER ENTRY HOSE GROUP	1
24	UPPER SUPPORT BRACKET	1
132	CABLE TIE(YKB150)	7
215	EMI FILTER	1
219	DRAIN HOSE	1
220	DRAIN HOSE ROUTER PLASTIC	1
221	HANGER SPRING BRACKET PLS.	2
222	PRESSURE SWITCH MOUNTING CLIP	1
225	ELECTRONIC PRESSURE SENSOR	1
231	SPRING HANGER BRACKET	1
235	DRAIN HOSE HOLDING PLS	4
238	SPEED CONTROL HOLE STOPPER	1
239	POWER CORD GROUP	1
240	TRANSPORT SCREW	4
241	PLAIN WASHER 8,30X29X2	4
242	TRANSPORT SCREW PLASTIC-A-II	4
243	TRANSPORT SCREW PLASTIC-B-II	4
245	TRANSPORT SCREW EPDM	4
249	CABLE HARNESS	1
250	CABLE HARNESS HOLDER PLS	1
251	CABLE HOLDER AND ROUTER PLASTIC-L	1
285	PUMP GROUP	1
290	TRANSPORT SCREW GROUP-II	4
296	CABLE GR	1
331	LOCKING WIRE SADDLE (BLUE)	1
700	TUB HANGER SPRING PART (PLASTIC HOUSING PART BETWEEN TUB AND SPRING HOOK)	2
800	TUB SPRING	2
895	SPRONG HANGER BRACKET GROUP	1
918	PUMP FILTER	1
919	HOSE CLAMP Ø8,6	1
920	FRONT PANEL DROP FIXING PLASTIC-II	4
929	PUMP PROTECTION FOIL	1
991	DRYER BOARD	1
1307	PCB BOX GR BLDC	1
1308	EGO BLDC EARTH CABLE	1
1309	THREAD ROL.SCREW M4X8 PAN H.TORX UN.H.S.	1
1316	EGO BLDC COMMUNICATION	1
1404	HOSE CLAMP	1
1503	ST 4,2X9,5 PAN HEAD W.COL.T.UNDER.SER.EA	2
1504	ISO 7049 ST 4,2X13 TORX	4
1505	ST 4,2X9,5 TRTSB	4
1508	CABLE TIE	1
1511	FRONT PANEL DROP FIXING PLASTIC	2
1513	MALE GROUND TERMINAL(STEEL)	1
1519	BRACKET_BLDC	1
1603	INTERNAL HOSE HOLDER PLASTIC	1

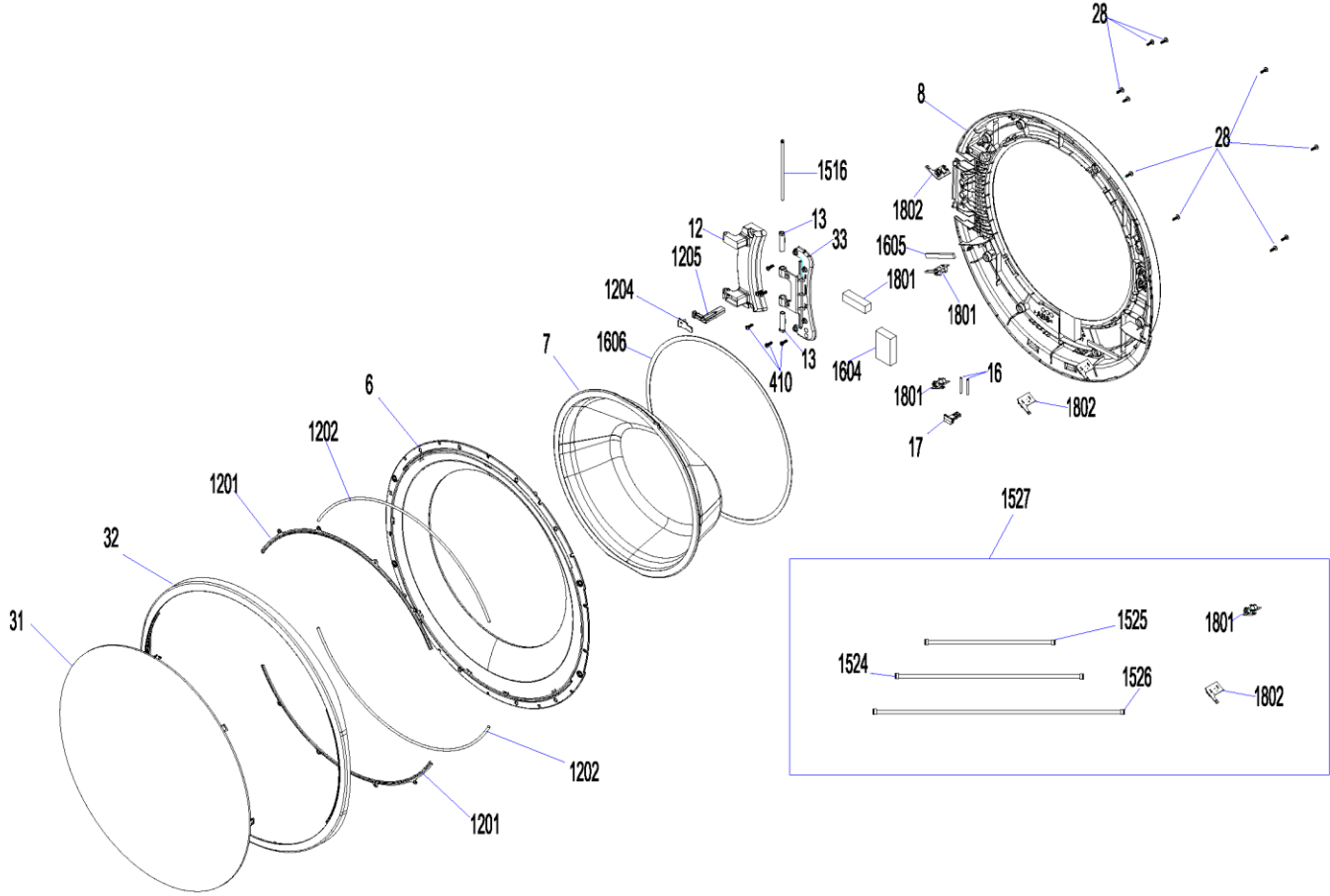
7 - DOOR GROUP (You can select the door group according to your model)

7.1. Exploded View ((Door goup with door handle)



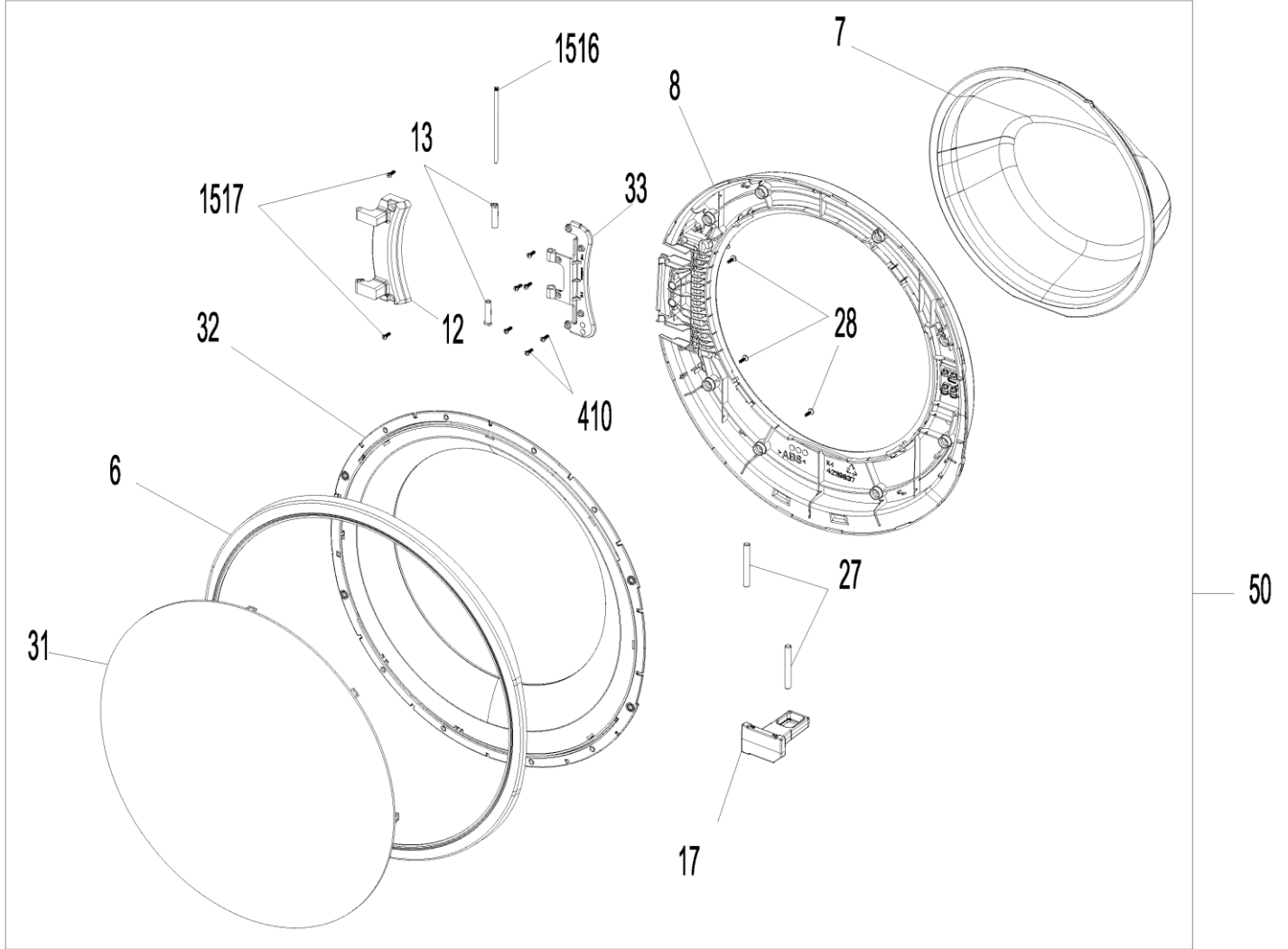
NO	PART NAME	QUANTITY
6	OUTER DOOR PLASTIC	1
7	DOOR GLASS	1
8	INNER DOOR PLASTIC	1
12	HINGE	1
13	HINGE BUSH	4
14	DOOR HANDLE	1
15	HOOK SPRING	1
17	DOOR HOOK	1
26	HANDLE SPRING	1
27	HANDLE PIN	3
28	SCREW 3,5X16 PAN HEAD WITH COLLAR UNDER HEAD SERRATED	9
29	OUTER DOOR PLASTIC INSERT PART	1
31	FRONT DOOR COVER	1
32	OUTER DOOR PLASTIC INNER FRAME	1
33	DOOR HINGE SUPPORT SHEET	1
410	SCREW 4X12 PAN HEAD WITH COLLAR UNDER HEAD SERRATED	6
1502	SCREW M5X8 TSB	2
50	PORTHOLE GROUP (all parts)	1

7.2. Exploded View (With Door Light)



POZ NO	PART NAME	QYT
6	BACK PORTHOLE FRAME-D180-V1	1
7	DOOR GLASS/PYTHON	1
8	BACK PORTHOLE FRAME/7.0	1
12	HINGE 5-V1-CHROME	1
13	HINGE BUSHING 4	2
16	DOOR TONGUE PIM D181	1
17	DOOR HOOK/FIXED	1
28	SCREW 3.5X16PAN.HE.WITH COL.CR.RE.UN.HE.	10
31	DOOR FRONT COVER/D180	1
32	FRONT PORTHOLE FRAME-D180-V1	1
33	SUPPORT SHEET D510	1
410	SCREW 4X12 PAN HEAD WITH COLLAR UNDER HE	6
1202	LIGHTGUIDE COVER-D181	2
1203	LIGHTGUIDE D181	2
1204	CABLE ROAD PLS/COVER	1
1205	CABLE ROAD PLS/BODY	1
1516	HINGE PIM D180	1
1524	DOOR LIGHT CABLE 30CM	1
1525	DOOR LIGHT CABLE	1
1526	DOOR LIGHT CABLE 50 CM	2
1527	DOOR LIGHT CABLE GR (1524+1525+1526+1801+1802)	1
1604	DOOR HOOK FOAM D181	1
1605	E.CARD PROTECT FOAM D181	2
1606	DOOR GLASS SUPPORT TAPE D181	1
1607	HINGE SUPPORT FOAM D181	1
1801	DOOR LIGHT LED PCB	2
1802	DOOR LIGHT LED PCB_LEFT	2

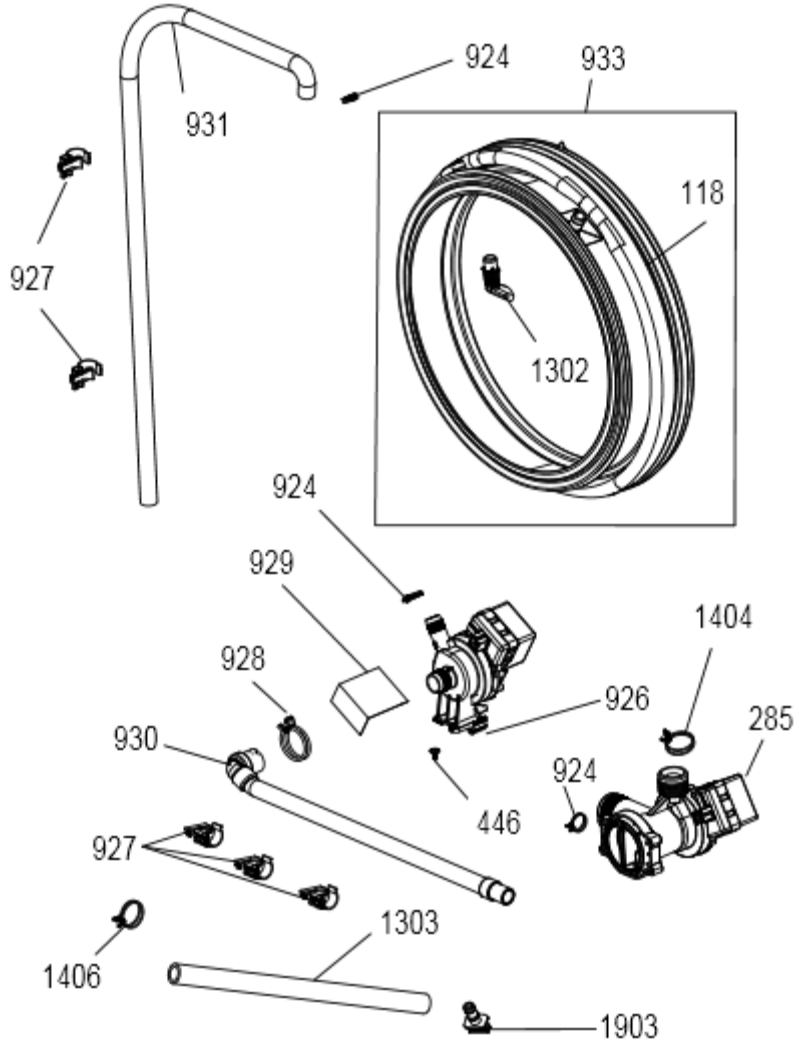
7.3. Exploded View (Without Door Handle)



NO	PART NAME	QUANTITY
6	OUTER DOOR PLASTIC	1
7	DOOR GLASS	1
8	INNER DOOR PLASTIC	1
12	HINGE	1
13	HINGE BUSH	4
17	DOOR HOOK	1
27	HANDLE PIN	3
28	SCREW 3,5X16 PAN HEAD WITH COLLAR UNDER HEAD SERRATED	9
31	FRONT DOOR COVER	1
32	OUTER DOOR PLASTIC INNER FRAME	1
33	DOOR HINGE SUPPORT SHEET	1
410	SCREW 4X12 PAN HEAD WITH COLLAR UNDER HEAD SERRATED	6
1516	HINGE PIM	1
1517	SCREW M6X20 TSB SPIRAL FORM	2
50	PORTHOLE GROUP (all parts)	1

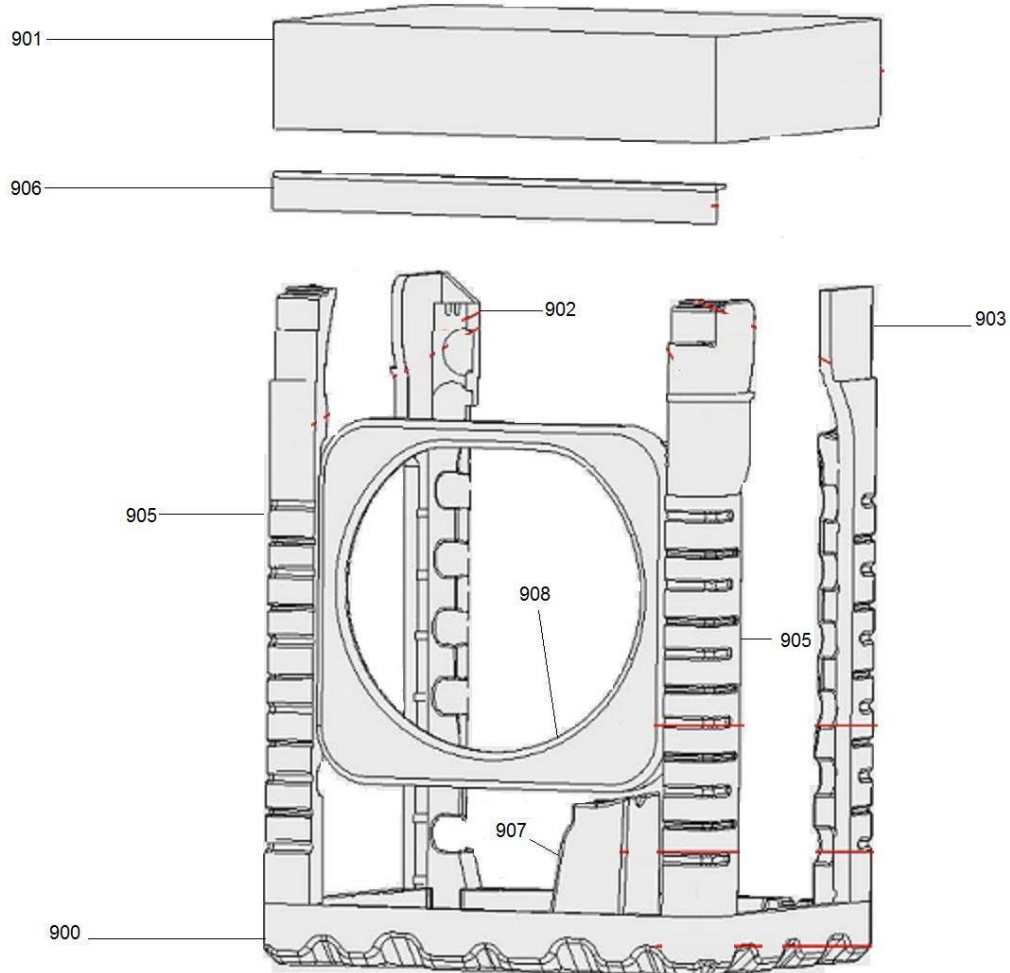
8 - CIRCULATION GROUP

8.1. Exploded View



8.2. Spare Part List

NO	PART NAME	QUANTITY
118	TUB BELLOWS SEAL	1
285	PUMP GROUP(FILTER)(THER. PROTECT.)	1
446	ISO 7049 ST 4,2x13 TYPE 2	1
924	HANDCUFFS Ø20.2	3
1302	TWIN JET NOZZLE	1
926	CIRCULATION PUMP	1
927	TWIN JET CABLE HOSE HOLDER PLASTIC	5
928	HANDCUFFS Ø26.8	1
929	PUMP PROTECTION FOIL-3	1
930	TWIN JET HOSE_N NO:1	1
931	TWIN JET HOSE_H NO:2	1
933	PYTHON-CIRCULATION TUB GASKET GR	1
1404	HOSE CLAMP Å~35,0	1
1303	URGENT EXIT HOSE-LONG	1
1406	HOSE CLAMP Ø14	1
1903	STOPPER OF URGENT EXIT HOSE	1

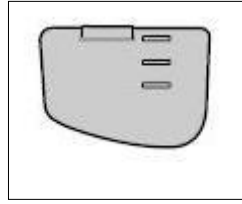
9 - PACKING GROUP**9.1. Exploded View****9.2. Spare Parts List**

NO	PART NAME	QTY
900	BOTTOM STYROFOAM	1
901	TOP CARTON	1
902	REAR STYROFOAM(LEFT)	1
903	REAR STYROFOAM(RIGHT)	1
905	FRONT STYROFOAM RIGHT - LEFT	1
906	CORNER CARDBOARD	1
907	TUB SUPPORT STYROFOAM	1
908	PORTHOLE PRO. STYROFOAM	1
909	PACKAGE CARTON	1

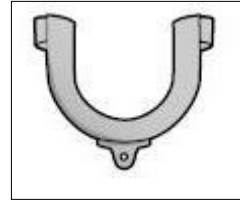
**** 909 - "This spare part is optional and depends on agreed specifications. Therefore you may not find this position number in product's spare part list."**

**** 908 "This spare part is optional and depends on agreed specifications. Therefore you may not find this position number in product's spare part list."**

10. ACCESSORIES



996

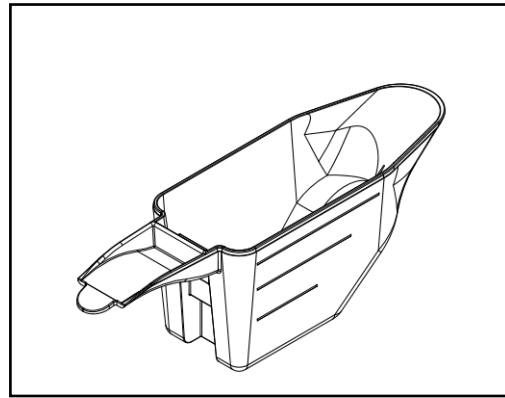


997

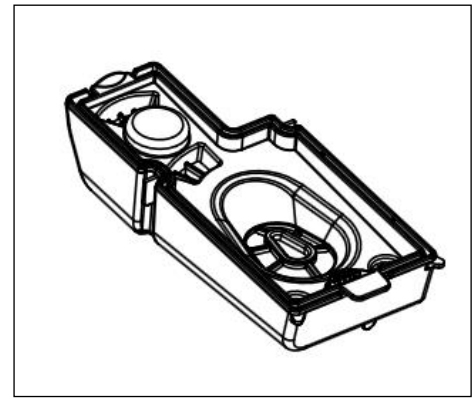


998

995



1900



1901

NO	PART NAME	QUANTITY
995	ENERGY LABEL	1
**996	LIQUID DETERGENT LEVEL PLATE	1
**997	DRAIN HOSE COAT RACK	1
998	TRANSPORT SCREW STOPPER	4
**1900	DETERGENT POWDER SCALE	1
**1901	LIQUID DET. RESERVOIR	1

**** 996 - 997 – 1900 - 1901 "This spare part is optional and depends on agreed specifications. Therefore you may not find this position number in product's spare part list."**